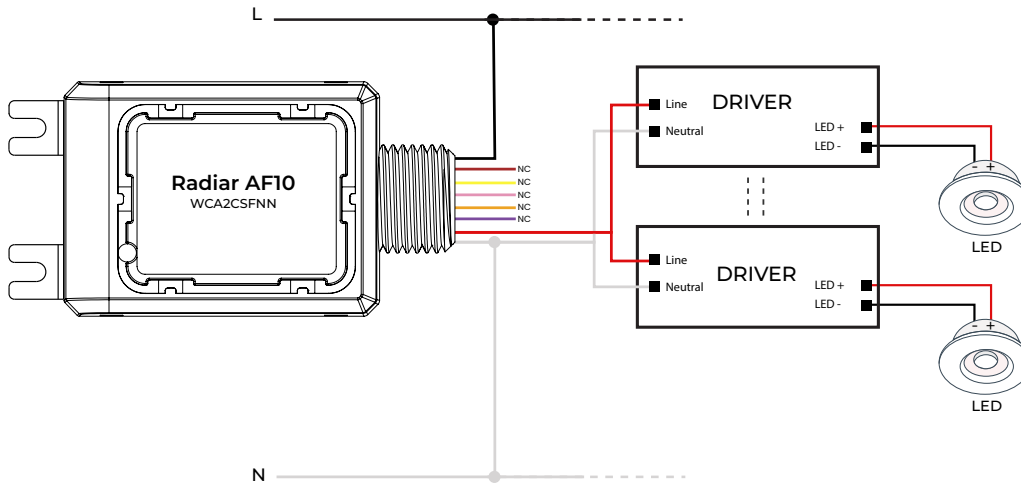


Radiar AF10

WIRING

Radiar AF10 can be installed in a deep junction box or fixture with standard ½ inch knockouts

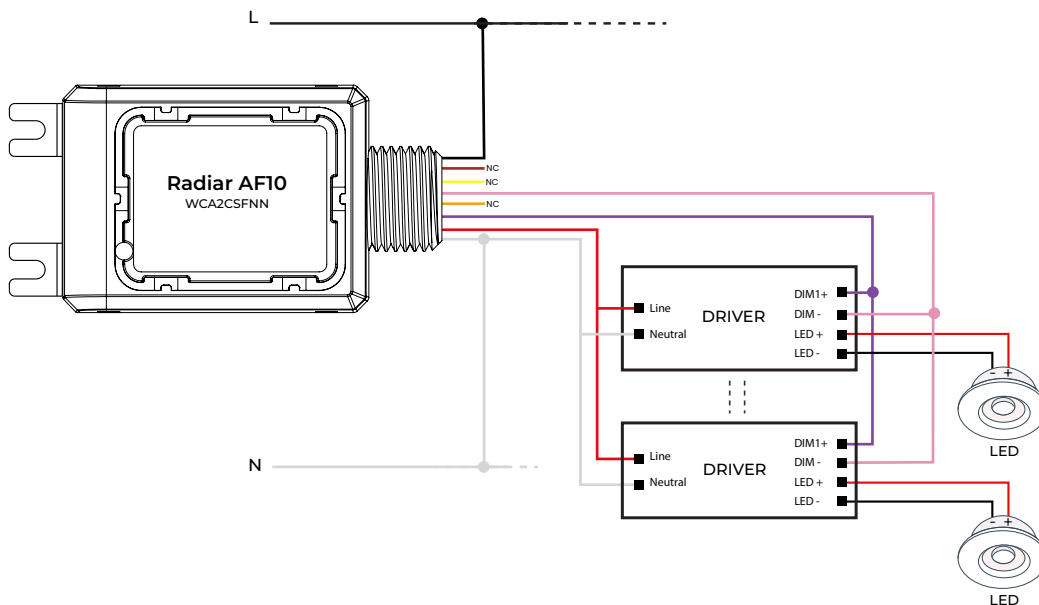
1 Configuring Radiar AF10 in relay mode



Note
Total number of Drivers that can be used will depend on the input rating of the Driver

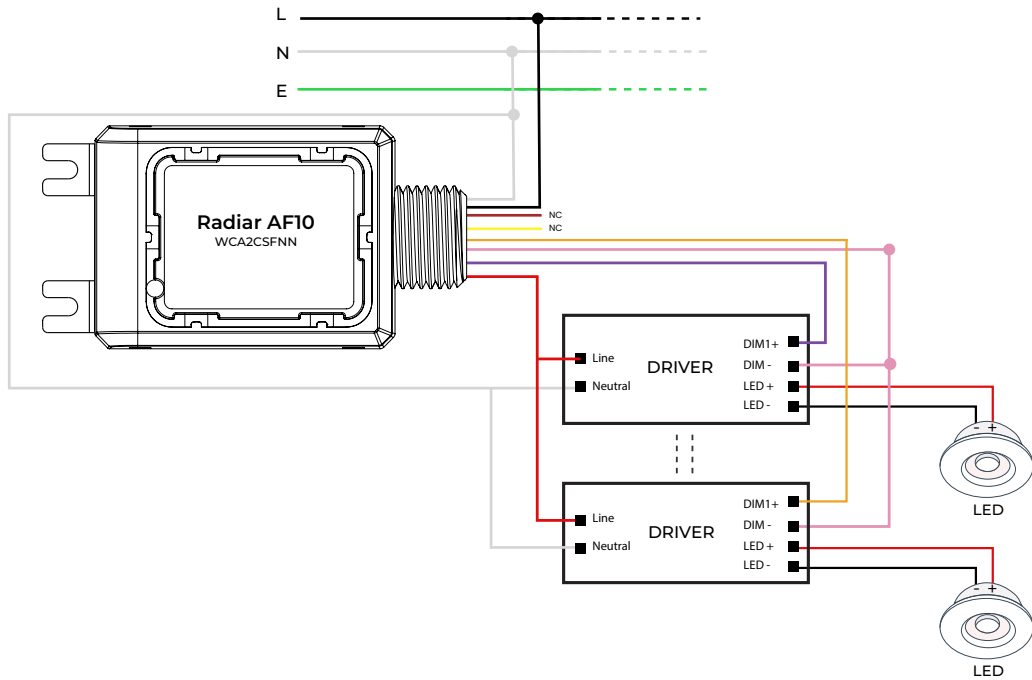
— Line (Black)	— DIM - (Pink)
— Neutral (White)	— 0-10V DIM2+ (Orange)
— Load (Red)	— 0-10V DIM1+ (Purple)
— 12VDC (Yellow)	— 0-10V Sensor input (Brown)
NC: No Connection	

2 Configuring Radiar AF10 for dimming



Note
Total number of Drivers that can be used will depend on the input rating of the Driver

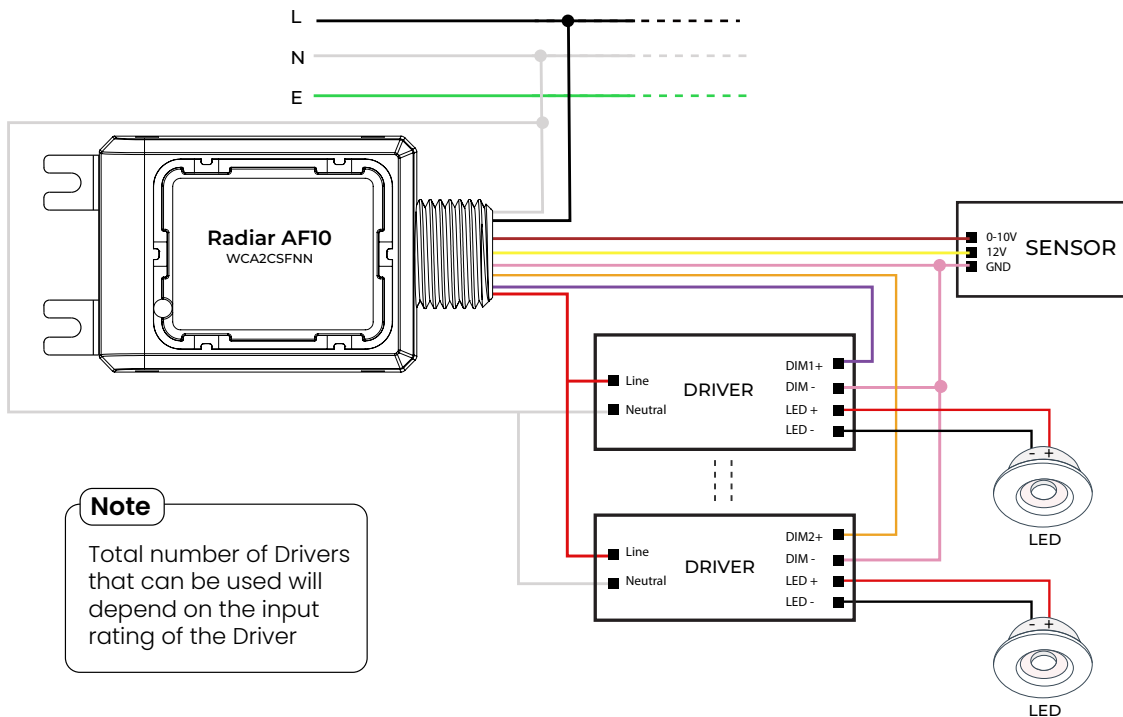
3 Configuring Radiar AF10 for dimming and tuning



Note
Total number of Drivers that can be used will depend on the input rating of the Driver

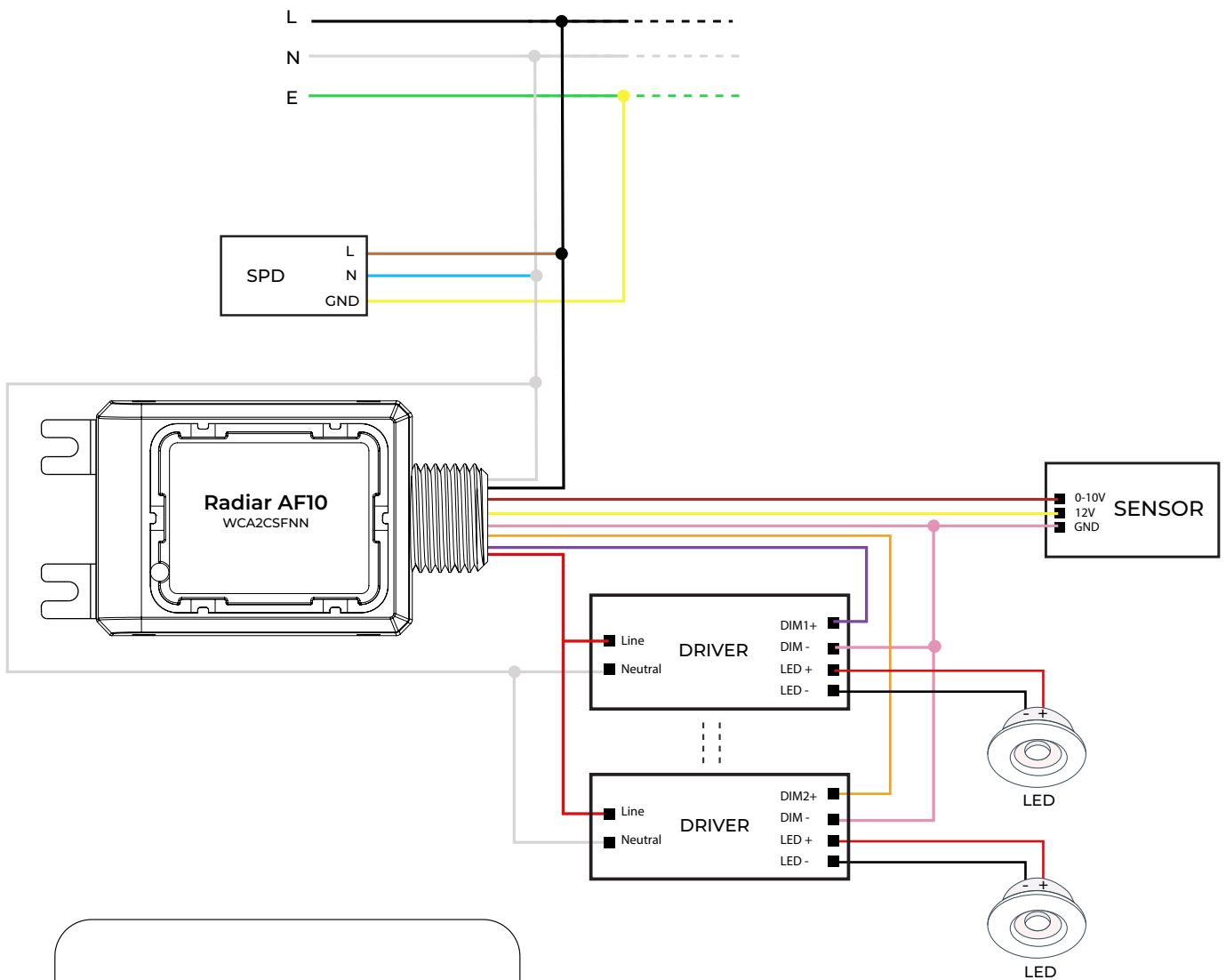
— Line (Black)	— 12VDC (Yellow)	— 0-10V DIM1+ (Purple)
— Neutral (White)	— DIM - (Pink)	— 0-10V Sensor input (Brown)
— Load (Red)	— 0-10V DIM2+ (Orange)	NC: No Connection

4 Configuring Radiar AF10 for dimming, tuning and an external sensor control (with additional surge protection)



Note
Total number of Drivers that can be used will depend on the input rating of the Driver

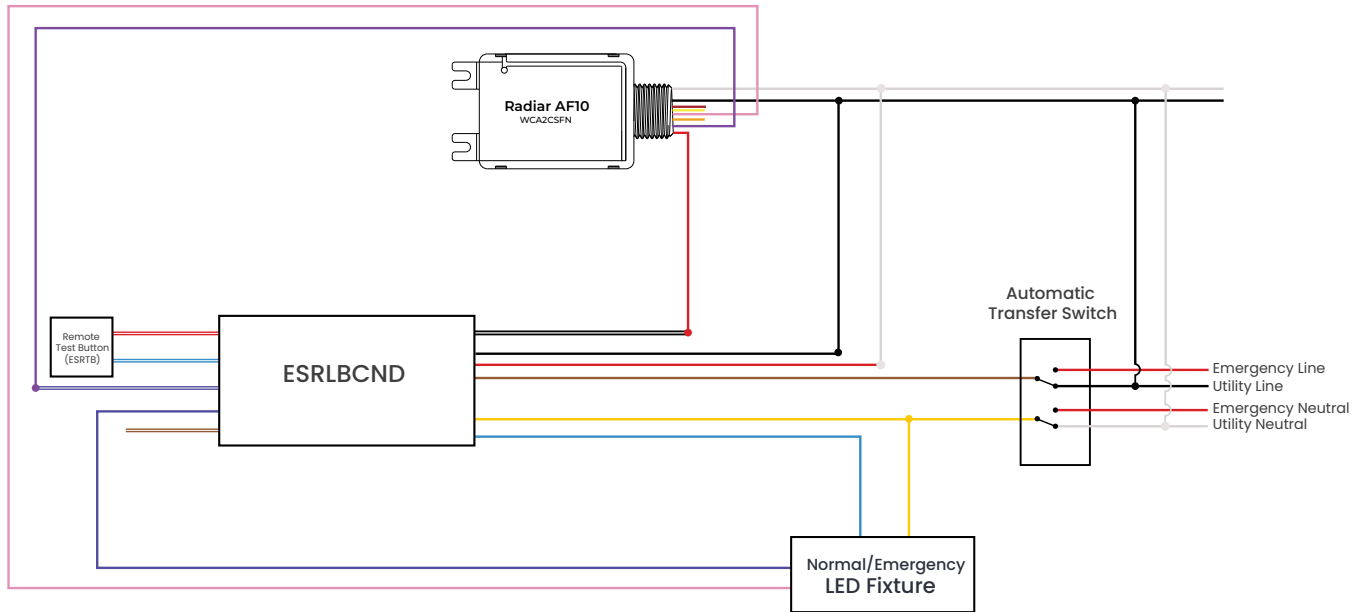
5 Configuring Radiar AF10 for dimming, tuning and an external sensor control (with additional surge protection)











- Line (Black)
- Neutral (White)
- Load (Red)
- 12VDC (Yellow)
- DIM - (Pink)
- 0-10V DIM2+ (Orange)
- 0-10V DIM1+ (Purple)
- 0-10V Sensor input (Brown)

Note
Total number of Drivers that can be used will depend on the input rating of the Driver

6 Configuring Radiar AF10 for Emergency Lighting Control with ESRLBCND(5Amp SPST)






Radiar AF10 - Wire description

 Line (Black)	 12VDC (Yellow)	 0-10V DIM1+ (Purple)
 Neutral (White)	 DIM- (Pink)	 0-3V Sensor input (Brown)
 Load (Red)	 0-10V DIM2+ (Orange)	







ESRLBCND - Wire description

Feedback/Dimmer Contacts

 NO (White/Violet)
 C (Violet)
 N/C (White/Brown)

Remote Test Input

 White/Red
 White/Blue

 Normal Hot (Black)
 Normal Switched Hot (White/Black)
 Normal Neutral (Red)
 Emergency Neutral (Yellow)
 Emergency Hot (Brown)
 Emergency Hot to Load (Blue)