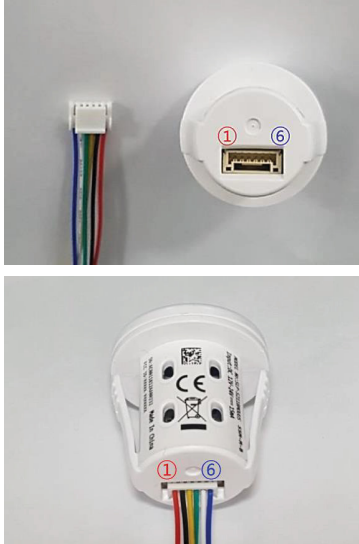


Cyrus C

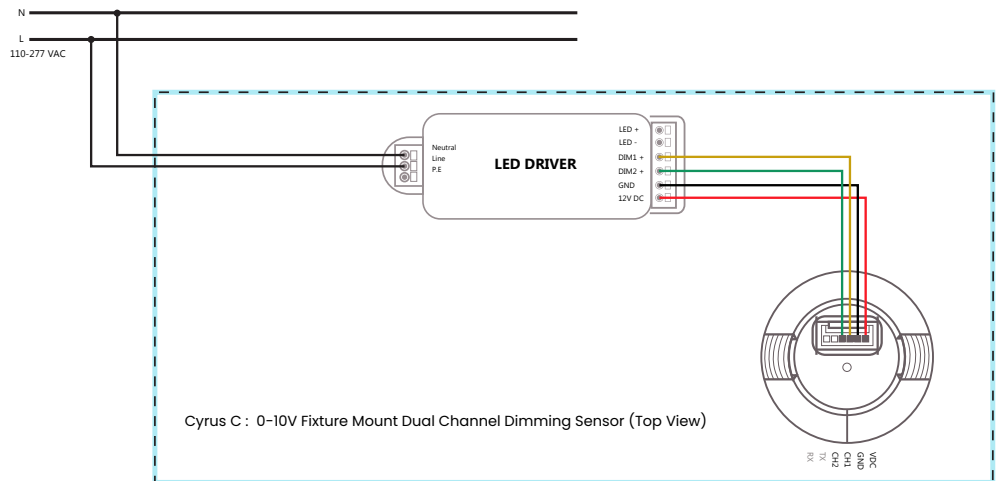
WIRING

Wiring

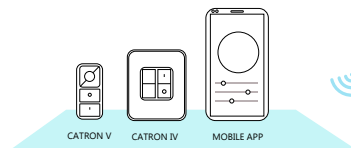


Pin	Symbol	Color	Description
1	VDC	Red	12-24VDC for sensor power
2	Ground	Black	GND
3	CH1+ 0-10V	Yellow	Intensity
4	CH2+ 0-10V	Green	CCT
5	Tx	White	UART communication
6	Rx	Blue	UART communication

Powering the Cyrus C via 12VDC auxiliary output from a driver



Dashed Line = 2x4 ft Fixture

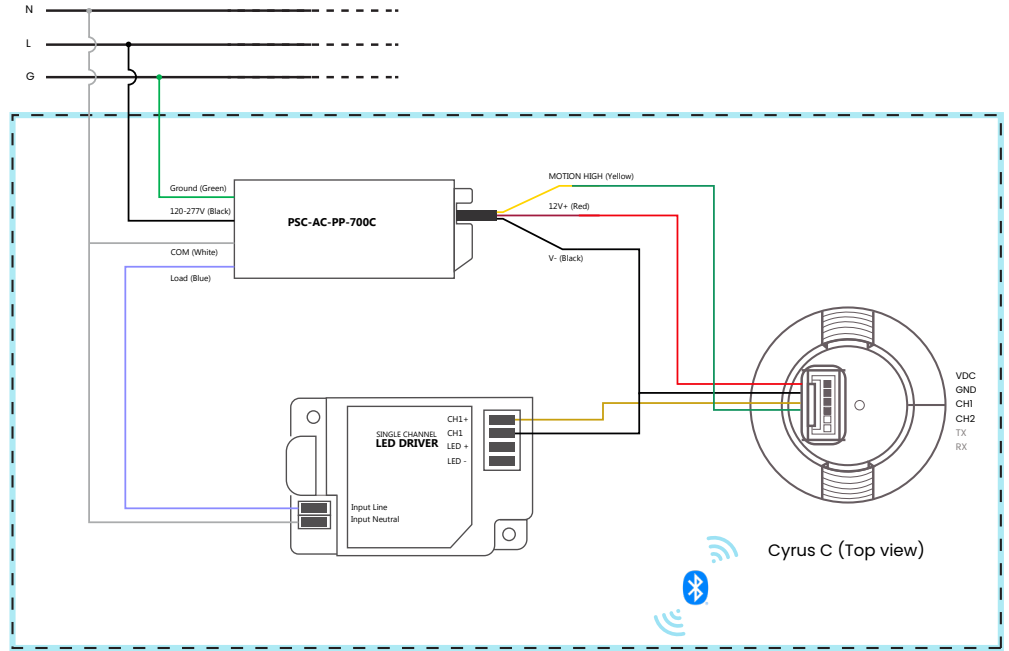


- VDC
- GND
- CH1
- CH2

Powering the Cyrus C via powerpack



Set the output mode of the Cyrus C as 'Single Channel' in the mobile application.



Dashed Line = 2x4 ft Fixture (Top view)

