

Omni TED

WIRING

WIRE DESCRIPTION

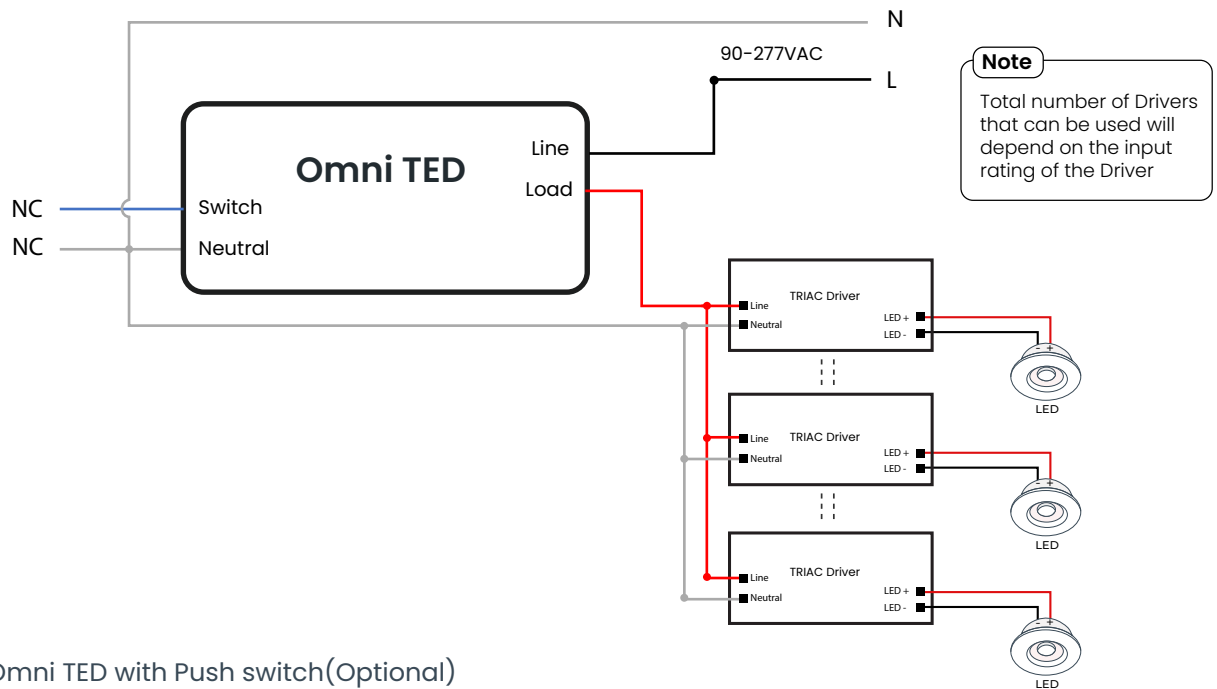


150mm wire antenna

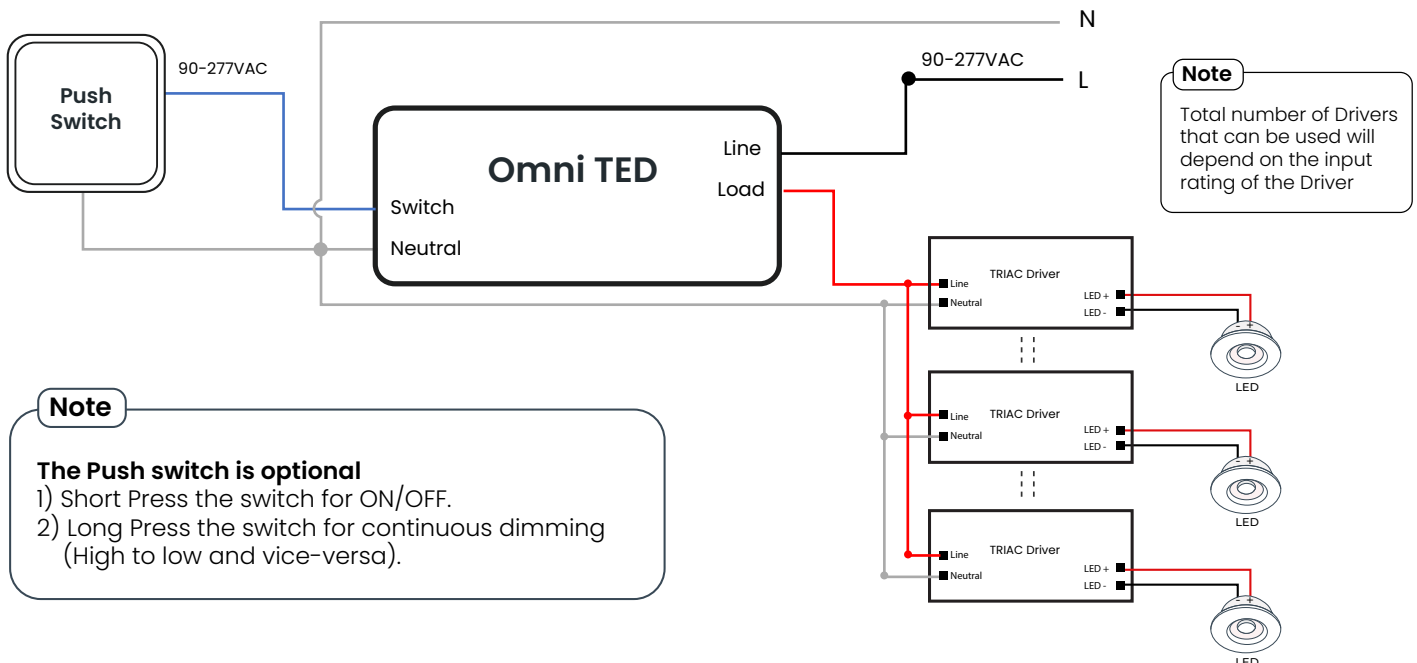
Pin	Name	Color	Gauge	Rating	Description
1	Switch	Blue	18AWG (0.75mm ²)	600V	To connect switch control
2	Neutral	White	18AWG (0.75mm ²)	600V	Common neutral
3	Load	Red	18AWG (0.75mm ²)	600V	For load
4	Line	Black	18AWG (0.75mm ²)	600V	90-277VAC

WIRING

1. Controlling Omni Ted using Lumos Controls app



2. Configuring Omni TED with Push switch(Optional)

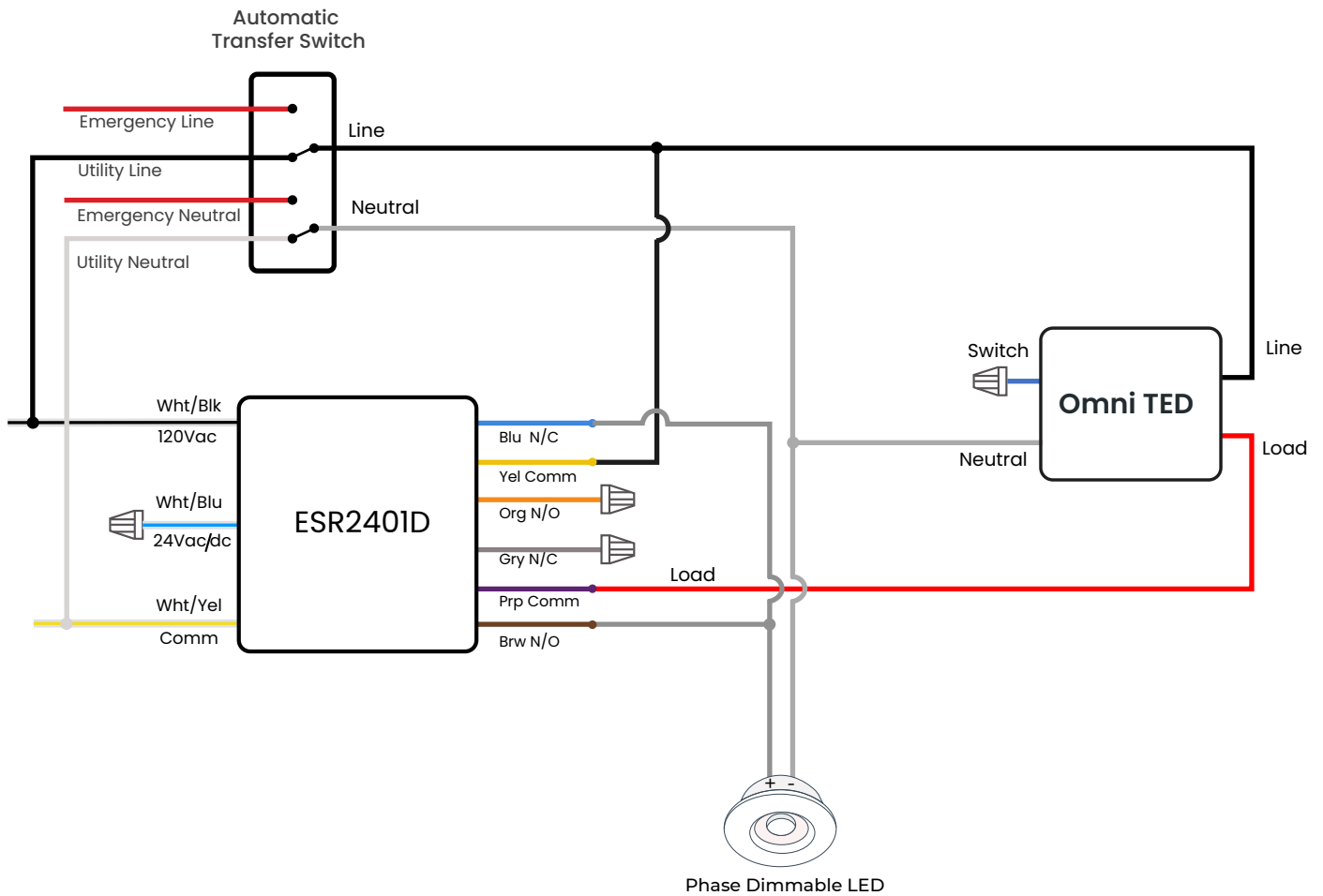


Note



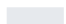

The Push switch is optional

- 1) Short Press the switch for ON/OFF.
- 2) Long Press the switch for continuous dimming (High to low and vice-versa).




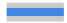





3. Configuring OmniTED for Emergency Lighting Control with ESR2401D(10Amp DPDT)



**Wire Description
Omni TED**

 Switch	 Load
 Neutral	 Line

**Wire Description
ESR2401D**

 120Vac	 N/C	 N/C
 24Vac/dc	 Comm	 Comm
 Comm	 N/O	 N/O