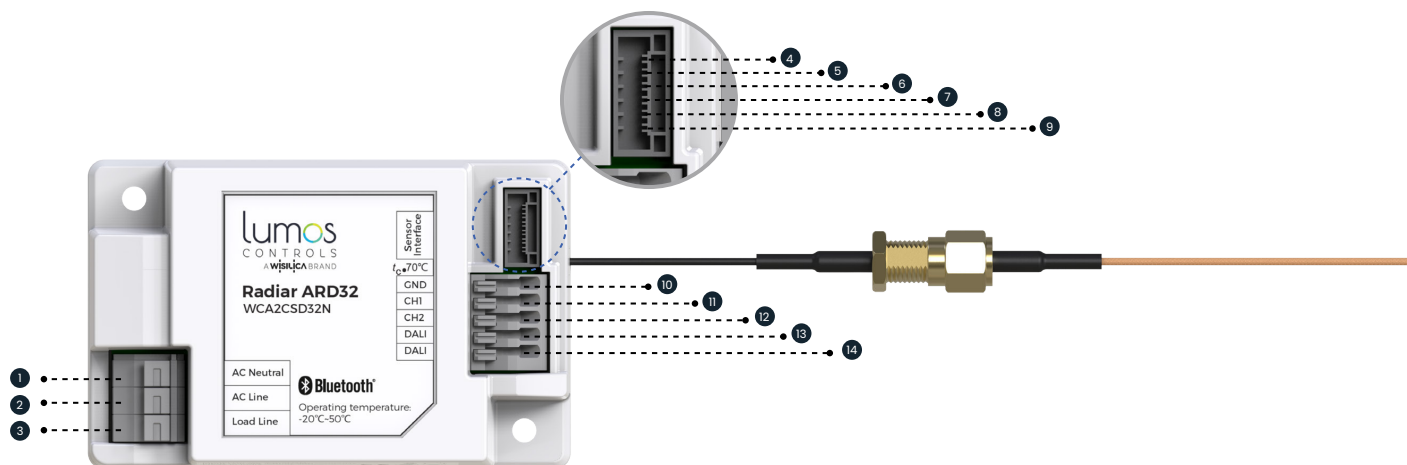


RADIAR ARD32

WIRING

Connector Description



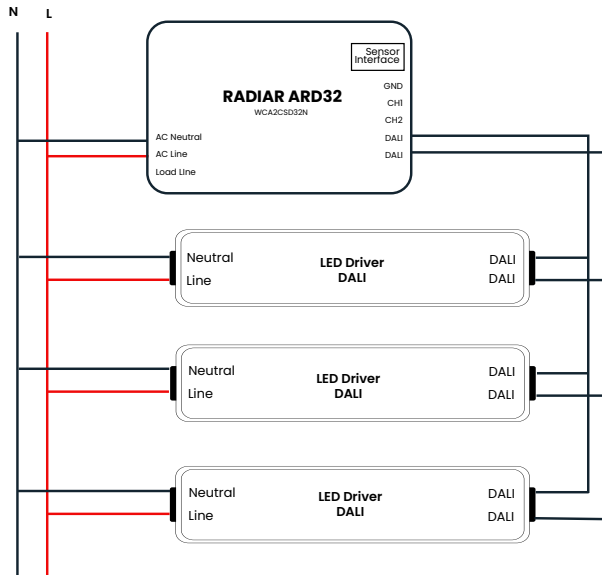
	Name	I/o	A/D	Function
1	AC-Neutral	Input	Analog	VAC common neutral
2	AC-Line	Input	Analog	VAC input line
3	Load Line	Output	Analog	VAC output line
4	3V3	Output		DC 3.3V aux supply
5	GND	Output		DC GND
6	TX	Output	Digital (3.3V)	UART transmitter
7	RX	Input	Digital (3.3V)	UART receiver
8	Din 1 NC		NC	No connection (NC)
9	Din 2	Input	Digital (3.3V)	3.3V digital sensor input
10	GND	Input		DC GND
11	CH1	Output	Analog	0-10V analog dimming
12	CH2	Output	Analog	0-10V analog dimming
13	DALI	Output	Digital	DALI+
14	DALI	Output	Digital	DALI-

Suggested Wire Gauge

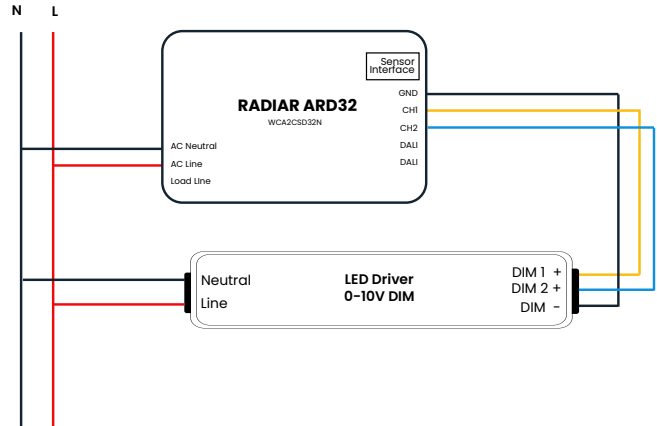
AC	0.75 - 1.5 mm ² (18 - 16 AWG)
DALI	0.5 - 1.5 mm ² (20 - 16 AWG)

Wiring

1) Connecting DALI drivers to the Radiar ARD32 controller



2) Connecting 0-10V drivers to the Radiar ARD32 controller (in 0-10V mode)



3) Connecting an external sensor with 0-3V output to the Radiar ARD32 controller using a Molex connector

