



Enor E

WiFi-BLE Gateway with RTC, Ethernet & Astronomical Clock



Product Overview

Enor E is an enterprise gateway that seamlessly connects the Lumos Controls ecosystem to the cloud using WiFi or Ethernet and includes the Astronomical time clock feature for automatic lighting schedule adjustments based on the natural daylight cycle.

It has a built-in RTC (Real Time Clock) that keeps the network date and time up to date even after a power outage or without cloud connectivity, ensuring uninterrupted scheduling. It helps in remote control, configuration, and monitoring of the Lumos Controls ecosystem.

Specifications

Electrical

Specifications	Value	Remarks
Input voltage	5V	Mini-USB / DC Adaptor
Input current	2A	Mini-USB / DC Adaptor

Ethernet

Specifications	Value
Number of ports	1
Data transmission rate	10/100 Mbps

WiFi

Specifications	Value	Remarks
Frequency band	2412-2462 MHz	IEEE 802 Part 11b/g/n

Features

- WiFi/BLE 5.2 Gateway providing ubiquitous connectivity to BLE devices
- Real-Time Clock(RTC) keeps track of the current time without cloud connectivity or after a power outage
- Support 802.11b/g/n modes
- Automatic switching for daylight saving time
- Daily astronomical calculation of the sunrise/sunset times based on the location
- Quick and easy configurations of the astronomical schedules from Lumos controls mobile application
- Offset for sunrise and sunset times can be adjusted up to ± 120 min. These time differentials are set separately for sunrise and sunset
- CR2032 coin-cell battery powered RTC with 10 years life
- LED indications for power, BLE, WiFi and Error status
- Support Zero downtime Over-the-Air firmware updates for mesh devices

Bluetooth

Specifications	Value	Remarks
Frequency range	2400-2480 MHz	
Max output power	8dBm	
Receive sensitivity	-95dBm	
Connection distance (device to device)	45m(147.6 ft)	Vary depending on the installation environment

RTC

Specifications	Value	Remarks
Input voltage	3VDC	CR2032 coin cell battery
Battery life	10 years	

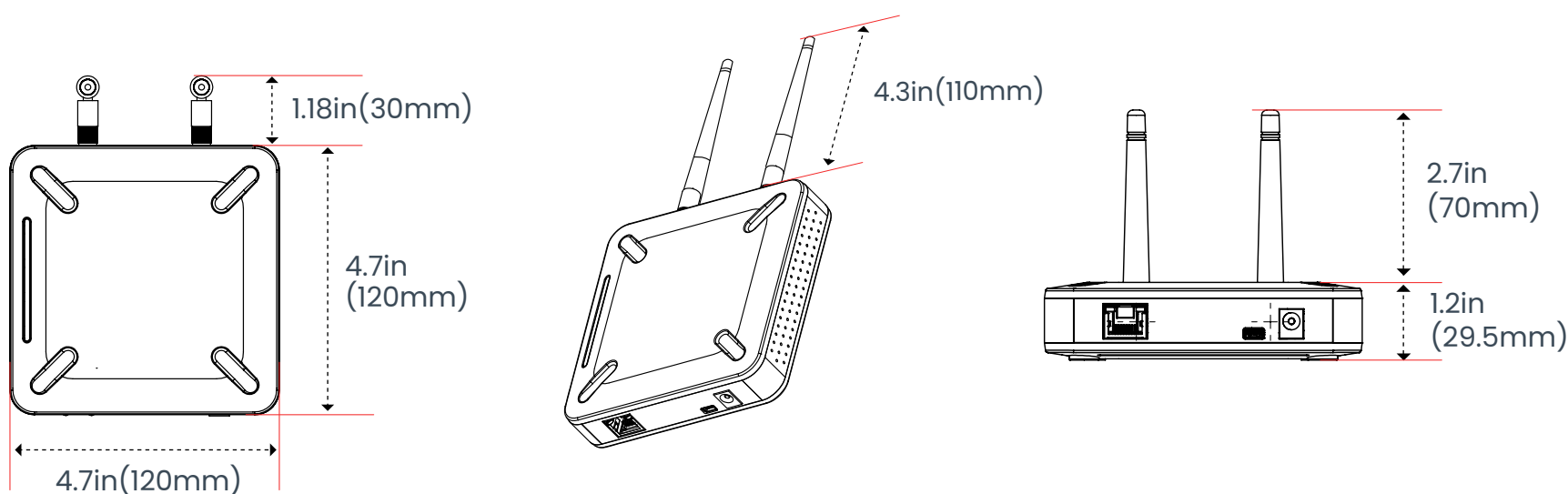
Environmental

Specifications	Value
Operating temperature	-20 to 55°C (-4 to 131°F)
Storage temperature	-20 to 85°C (-4 to 185°F)
Relative humidity	85%

Mechanical

Specifications	Value	Remarks
Dimensions	4.7 x 4.7 x 1.2in (120 x 120 x 29.5mm)	L x W x H

Product Dimensions



Use Case



Remote device operation



Sends the sensor and device data to cloud



Astronomical Clock for sunset/sunrise schedules

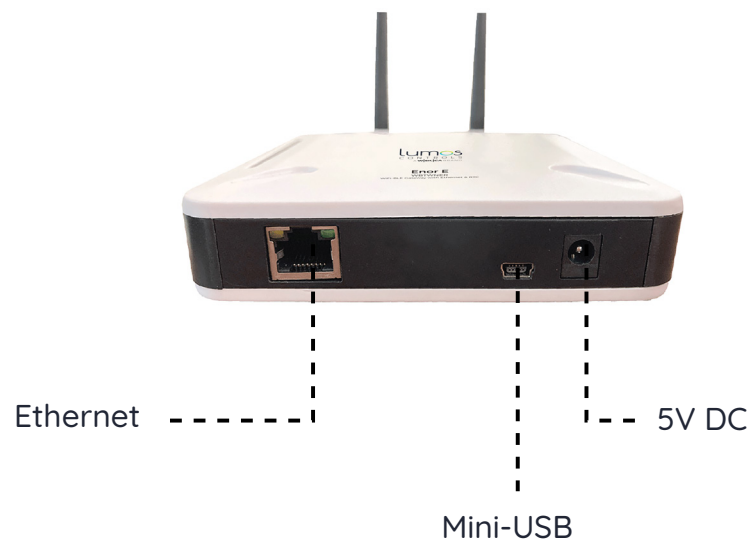
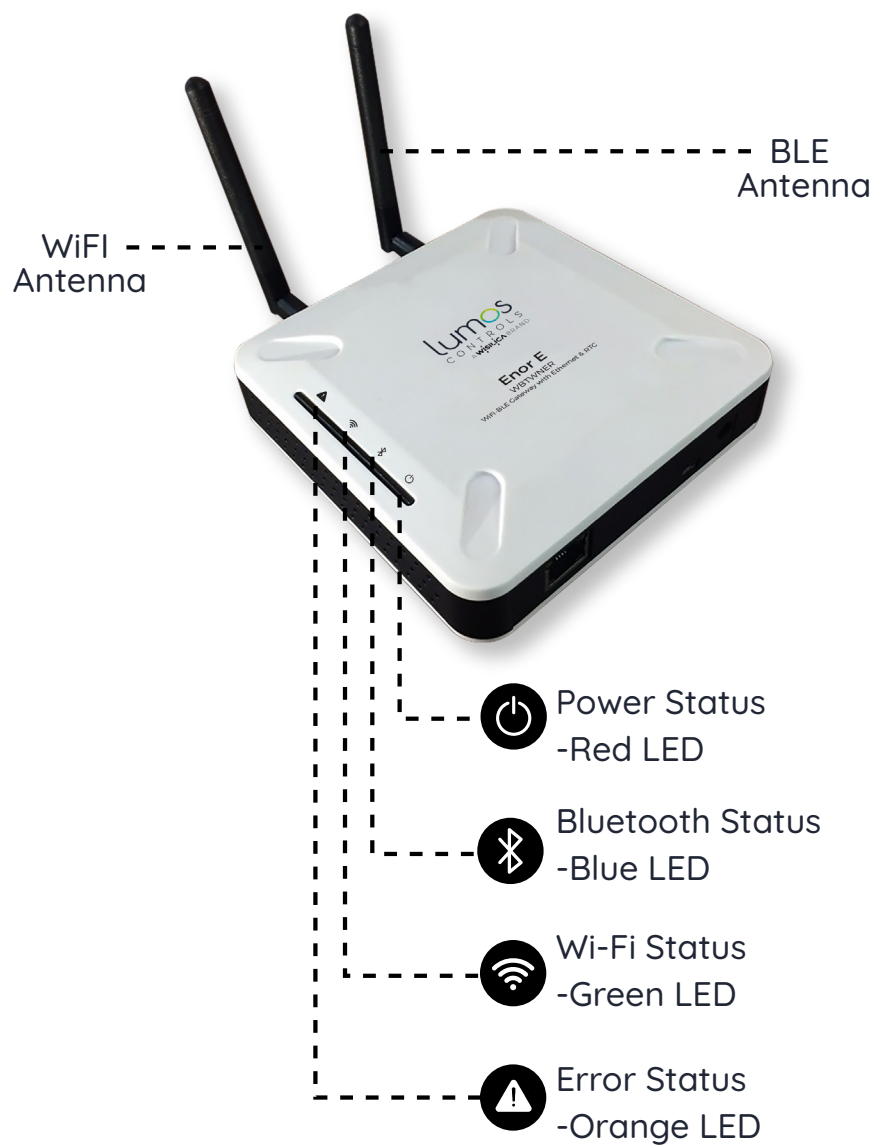


Real time clock for uninterrupted scheduling

Note

If the Gateway is not connecting with the cloud then, please ensure ports 443 and 8883 are open.

Interface Description



Antenna Information

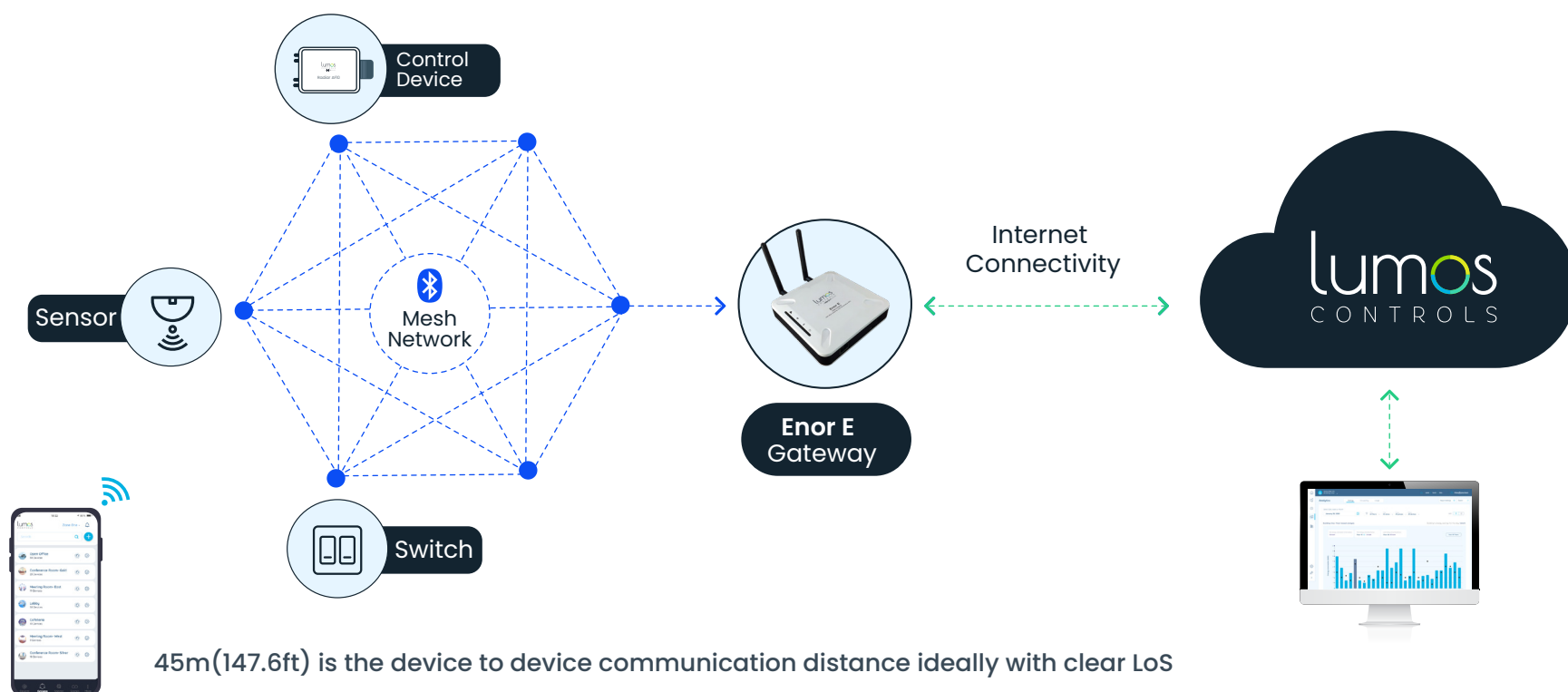
Stick antenna



Antenna Properties

Frequency range	2.4GHz-2.5GHz
Impedance	50Ω
VSWR	≤ 1.8
Return loss	≥12dB
Gain(peak)	2dBi
Power handling	10W
Polarization	Vertical
Radiation pattern	Omni-directional

Smart Ecosystem



Certifications	Details
CE	<p>Article 3, RED 2014/53/EU</p> <p>EMC test standards</p> <p>ETSI EN 301 489-1 V2.2.3 (2019-11)</p> <p>ETSI EN 301 489-17 V3.2.4 (2020-09)</p> <p>EN 55032: 2015/A11: 2020</p> <p>EN 55035: 2017+A11: 2020</p> <p>Radio test standard</p> <p>ETSI EN 300 328 V2.2.2 (2019-07)</p> <p>Health test standard:</p> <p>EN IEC 62311: 2020</p> <p>Safety test standard:</p> <p>IEC 62368-1:2014+A11: 2017</p>
RoHS 2.0	RoHS Directive (EU) 2015/863 amending Annex II to Directive 2011/65/EU
REACH	Regulation (EC) No 1907/2006 of REACH
WEEE	Under the WEEE Directive: 2012/19/EU
FCC	FCC Rule Part 15C, ID: 2AG4N-WBTWNER
Bluetooth	Declaration ID: D059551

Items included in the package box

- Enor E
- User manual
- Stick antenna
- Adapter
- Screws
- Wall plug



Ordering Information

Product Code	Product Name	Product Description	Communication	Voltage Rating	RTC	Ethernet	Astronomical Clock
WBTWNER	Enor E	WiFi-BLE Gateway with Ethernet & RTC	BLE5.2/WiFi	5V/2A (mini-USB or DC adaptor)	Yes	Yes	Yes

The Bluetooth® word mark and logos are registered trademarks owned by Bluetooth SIG, Inc. and any use of such marks by WiSilica Inc. is under license. Other trademarks and trade names are those of their respective owners.



20321 Lake Forest Dr D6,
Lake Forest, CA 92630

 www.lumoscontrols.com
 +1 949-397-9330