

Cyrus MD1

D4i powered single child DALI controller
with motion and daylight sensing



PRODUCT OVERVIEW

The Cyrus MDI is a single DALI controller with motion and daylight sensing. The device is powered by DALI bus. It can be used to control the intensity and colour temperature of a D4i DALI driver. It has a 5.8GHz Microwave sensor that provides a maximum motion detection range of 17m(55.8ft) diameter when mounted at a height of 7m(23ft). The motion sensing together with the ambient light sensor within the device can be used to control the light device through automations.

The Lumos Controls ecosystem comprises controllers, sensors, switches, modules, drivers, gateways, and analytical dashboards. It is listed by the Design Lights Consortium (DLC), qualifying it for energy conservation incentive programs and rebates by utility companies.

SPECIFICATIONS

Electrical

Specifications	Value	Remarks
Input voltage	12-22VDC	DALI bus power supply, 16VDC typical
Input current	25mA	Typical current consumption

Bluetooth

Specifications	Value	Remarks
Frequency range	2402-2480 MHz	
Max output power	8dBm	Conductive
Receive sensitivity	-95dBm	
Connection distance (device to device)	45m(147ft)	Vary depending on the installation environment

FEATURES

- Controls intensity and color temperature of a D4i DALI driver
- Powered by DALI bus and no need of additional wiring
- Supports microwave motion and ambient light sensing
- BLE 5.2 based non flooding wireless communication
- LED indication for commissioning mode, locating and motion detection
- Zero downtime Over-the-Air(OTA) firmware updates

DALI

Specifications	Value	Remarks
Voltage range	12-22VDC	Typically 16VDC
Supported protocols	103/ 207/ 209/ 202/ 252	DALI intensity and CCT control
Dimming range	0-100%	
Dimming curve	Linear/ logarithmic(default)	

Microwave Motion Sensor

Specifications	Value	Remarks
Mounting height	Upto 39.4ft(12m)	Use 19.8-23ft(6-7m) height for best output
Max detection range	55.7ft (17m)	Diameter, @19.8ft(7m) mounting height
Max coverage area	2732.5sq.ft (254.32sq.m)	Area, @19.8ft(7m) mounting height

Daylight Sensor

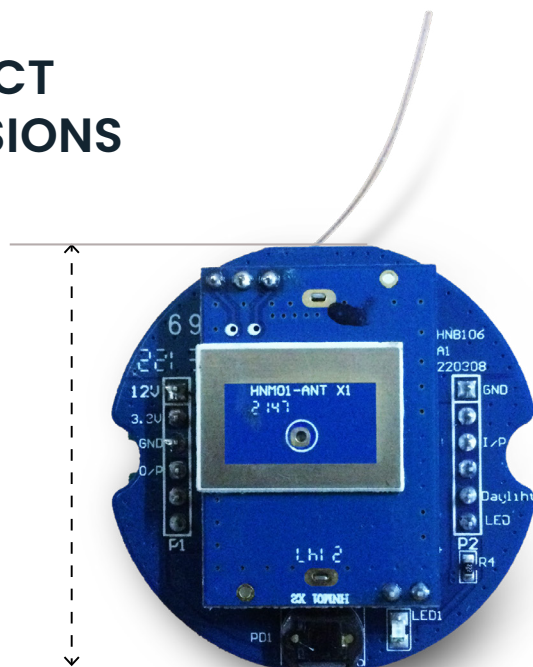
Specifications	Value	Remarks
Mounting height	0 to 2000lux	
Default range setting	19-512lux	User programmable
Illuminance accuracy	±10%	

Mechanical Specification

Specifications	Value	Remarks
Dimension (without casing)	1.77x0.78in (45x20mm)	Diameter x height
Weight	16g(0.56oz)	

PRODUCT DIMENSIONS

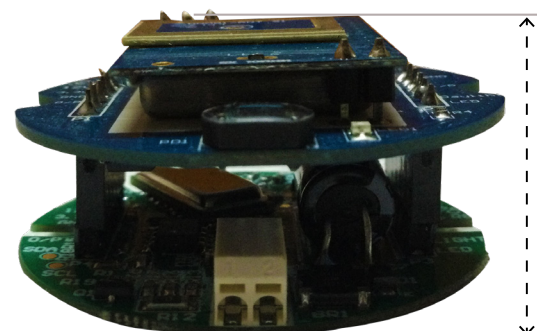
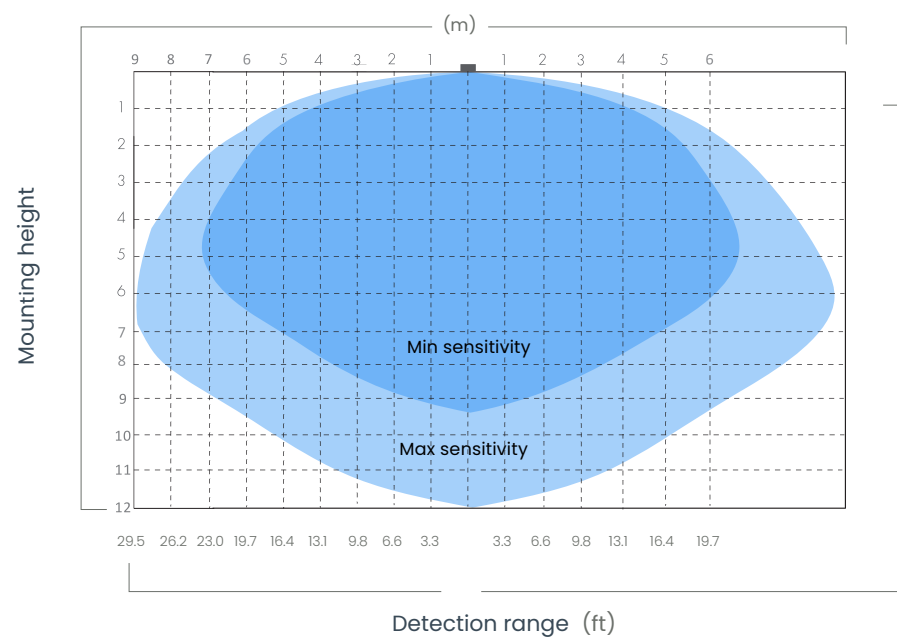
1.77in
(45mm)



Environmental

Specifications	Value
Operating temperature	-20-50°C (-4 to 122°F)
Relative humidity	20-85%

MOTION SENSOR CHARACTERISTICS



0.78in
(20mm)

ANTENNA INFORMATION

37mm wire antenna

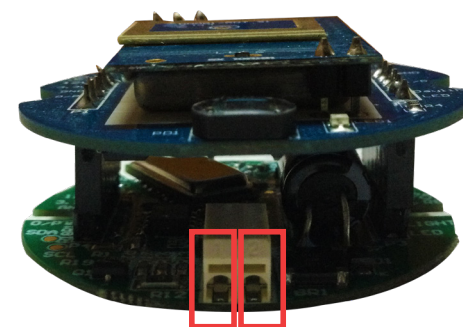


Antenna Properties

Frequency range	2.4GHz-2.5GHz
Impedance	50Ω Nominal
VSWR	1.92:1 Max
Return loss	-10dB Max
Gain(peak)	2dBi
Cable loss	0.3dBi Max

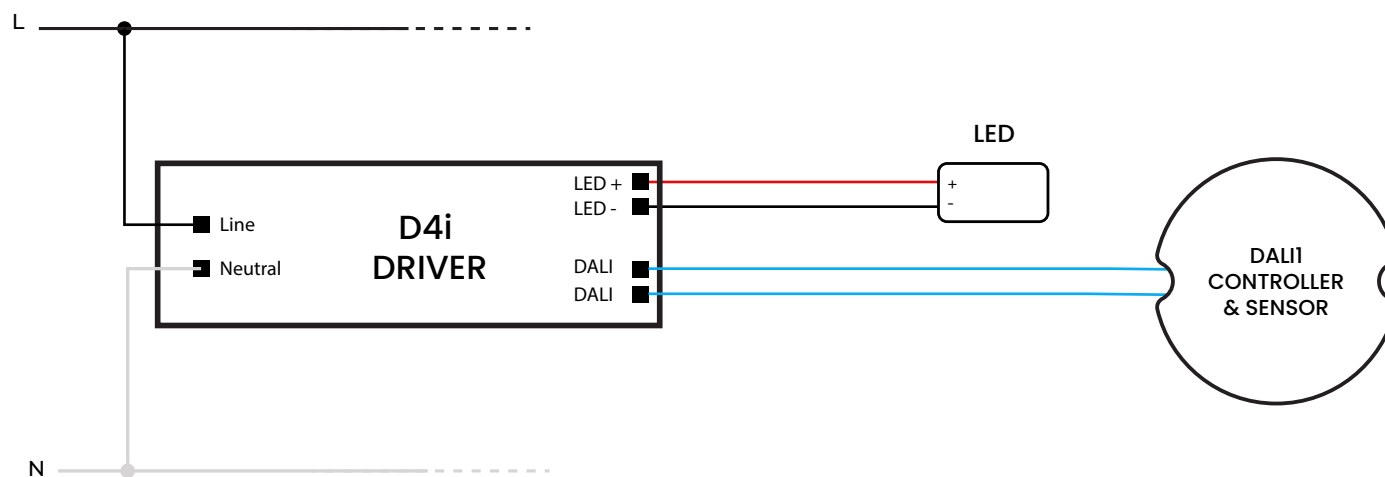
CONNECTOR DESCRIPTION

Connector	Color	Wire gauge	Function
DALI	White	24AWG (0.25mm ²) Tinned unshielded part (5mm length)	To power the product, and to communicate with DALI driver



DALI Connectors

WIRING



DEFAULT CONFIGURATION

Default values for the parameters of motion and daylight sensor when used without commissioning.

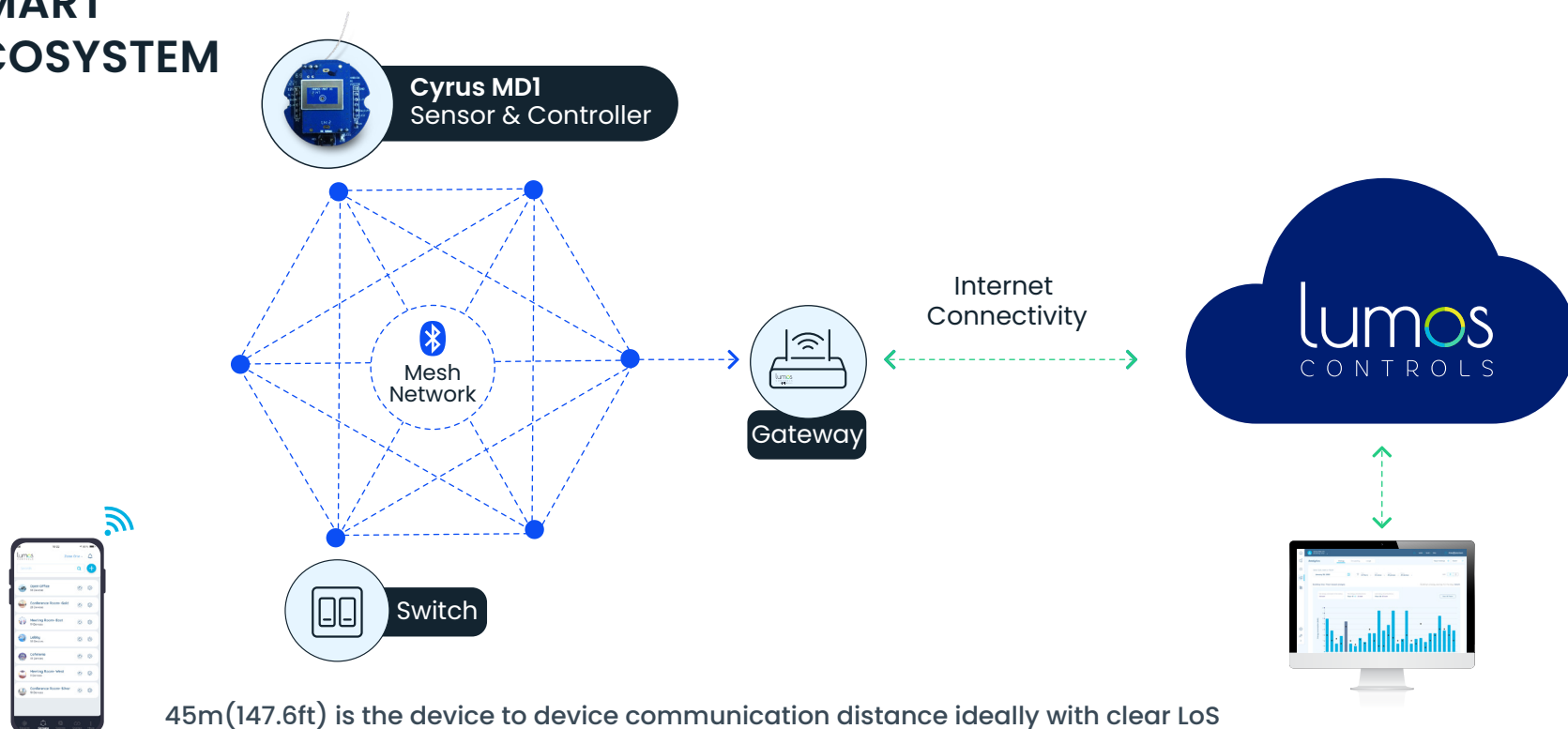
Motion Sensor

- Light intensity when someone arrives – **100%**
- Wait time after sensor stops detecting motion – **5min**
- Light Intensity when everyone has left – **20%**

Daylight Sensor

- Min Light level: 0% at Max lux: **50lx**
- Max Light level 100% at Min lux: **10lx**
- Lux tolerance: **10lx**

SMART ECOSYSTEM



ORDERING INFORMATION

Product Code	Product Name	Product Description	Communication	Dimming	Sensor
WXDDMLC	Cyrus MDI	D4i powered single child DALI controller with motion and daylight sensing	BLE 5.2	DALI control	Microwave motion sensing, Daylight sensing

The Bluetooth® word mark and logos are registered trademarks owned by Bluetooth SIG, Inc. and any use of such marks by WiSilica Inc. is under license. Other trademarks and trade names are those of their respective owners.



20321 Lake Forest Dr D6,
Lake Forest, CA 92630

 www.lumoscontrols.com

 +1 949-397-9330