



# Linear Dimming Control Module

Reverse Phase Dimming Control Module



## PRODUCT OVERVIEW

The Linear Dimming Control Module is capable of switching and dimming reverse phase dimmed outputs when paired with the Radiar AF10. This allows reverse phase dimmable luminaires to be controlled by a Lumos Controls network. Each LDCM can be used across multiple devices up to the maximum wattage per the input voltage. Both the Radiar AF10 and PCDM can be mounted directly to a junction box.

This combination will have access to all the capabilities offered by the Lumos Controls ecosystem, like zoning, scenes, animations, sensor automations, schedules, energy analytics and dashboards

## SPECIFICATIONS

### Electrical

Specifications	Value
Power rating	450W MAX @110-120V 1000W MAX @277V
Operating voltage	110VAC-120VAC, 277VAC
Operating frequency	60Hz
Startup temperature	-4°F to 104°F (-20°C to 40°C)
Operating temperature	-4°F to 104°F (-20°C to 40°C)
Storage temperature	-4°F to 176°F (-40°C to 80°C)

### Dimming Control

Specifications	Value
Dimming	110-120VAC; reverse phase; converted from 0-10V controller  277VAC; reverse phase; converted from 0-10V controller

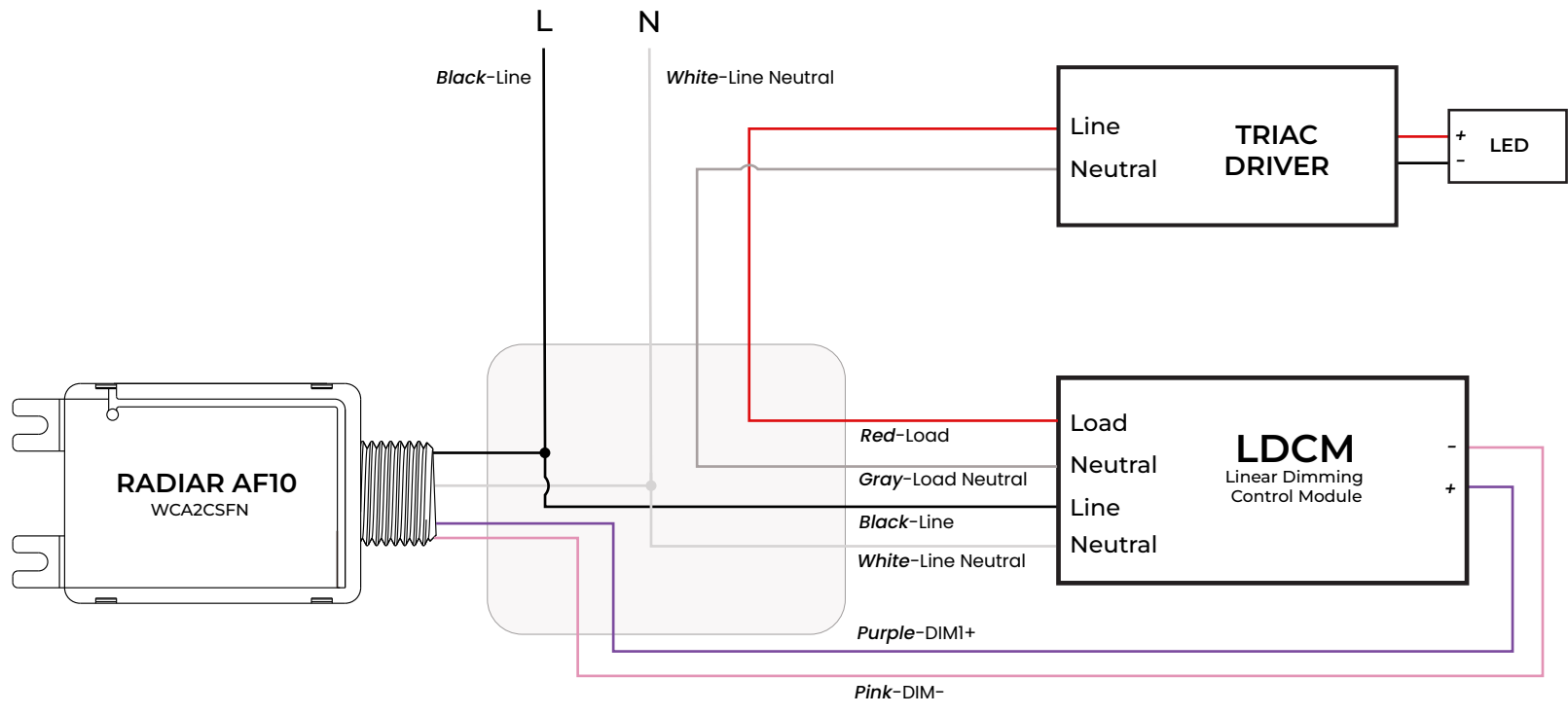
## FEATURES

- 450W @120V, 1000W @277V
- Chase Nipple for J-box mounting
- Smart wireless control for reverse phase-cut dimmable luminaires
- Planum Rated
- Access to all the capabilities offered by the Lumos Controls ecosystem when paired with Radiar AF10

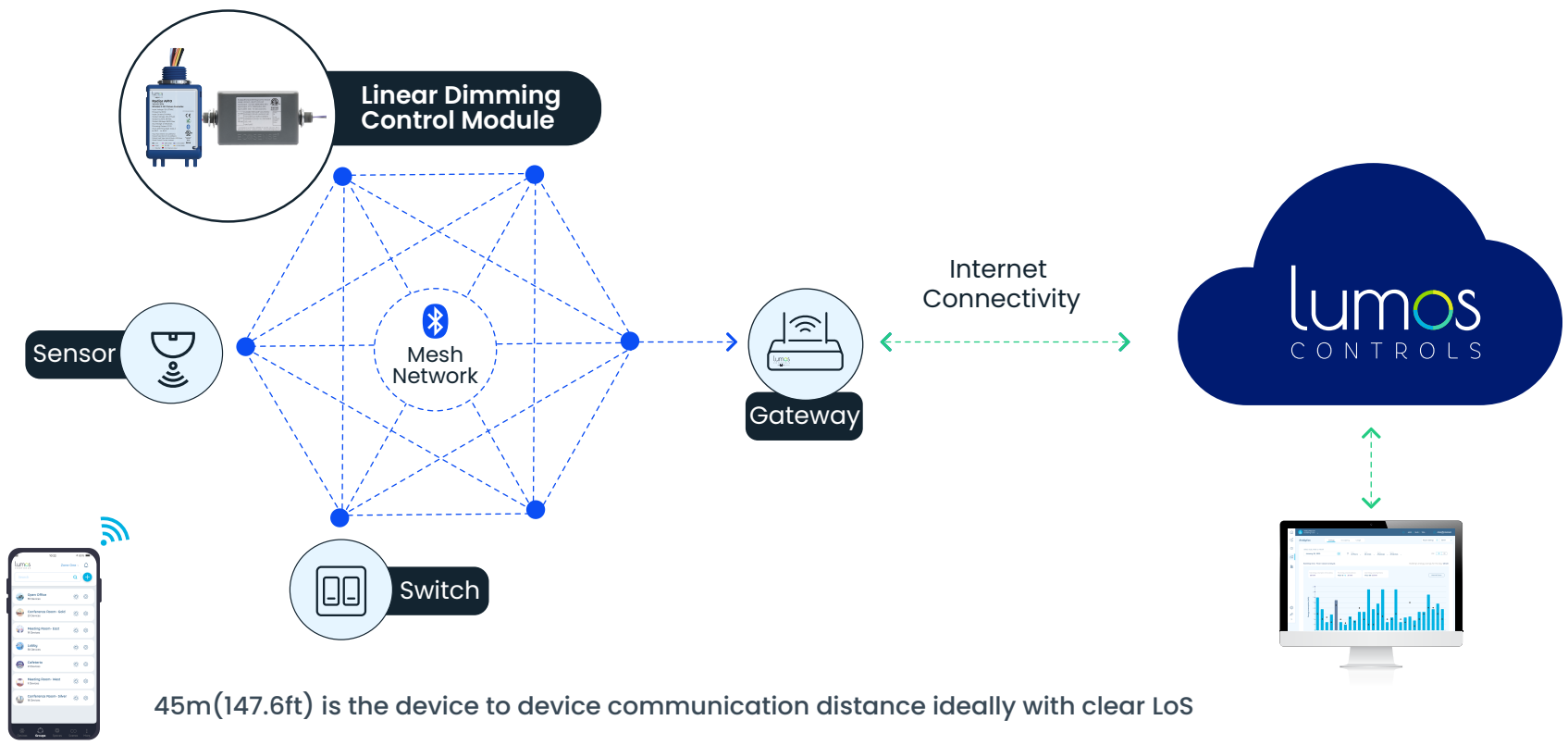
### Mechanical

Specifications	Value	Remarks
Dimensions	3.4 x 2 x 7(inch) 87 x 50 x 178(mm)	W x H x L
Housing	Injection molded polycarbonate	
Connectors	lead wire 6 in from conduit	
Weight	0.99 lbs (0.45 Kg)	
Environment	ETL damp location	
Mounting options	Conduit mounting for both sides	

# WIRING



# SMART ECOSYSTEM



## ORDERING INFORMATION

Product Code	Product Name	Product Description	Communication	Dimming
LDCM-PL-120-277-010V-GR	Linear Dimming Control Module	Plenum Rated Linear Dimming Control Module	BLE5.2	Reverse phase dimming

The Bluetooth® word mark and logos are registered trademarks owned by Bluetooth SIG, Inc. and any use of such marks by WiSilica Inc. is under license. Other trademarks and trade names are those of their respective owners.



20321 Lake Forest Dr D6,  
Lake Forest, CA 92630

 [www.lumoscontrols.com](http://www.lumoscontrols.com)

 +1 949-397-9330