



PSC-BL-I-FM-DC0-BLE-WS

Single Channel Dimming PIR Motion Sensor



Product Overview

PSC-BL-I-FM-DC0-BLE-WS is a 12-24VDC powered sensor with low bay PIR motion detection. This industry's smallest form factor device has 0-10V output channel for dimming control. This easy to install fixture mount device also supports UART interface.

PSC-BL-I-FM-DC0-BLE-WS is a part of Lumos Controls ecosystem supported by controllers, sensors, switches, modules, drivers, gateways, and analytical dashboards. The ecosystem is listed by the **Design Lights Consortium (DLC)**, qualifying it for energy conservation incentive programs and rebates by utility companies

Specifications

Electrical

Specifications	Value	Remarks
Input voltage	12-24VDC	Rated input voltage
Input current	25mA	@12-24VDC

Output Channel

Specifications	Value	Remarks
Number of channels	1	
Voltage range	0-10VDC	
Current	100mA	Upto 50 LED sink drivers
Dimming range	0-100%	1000 steps resolution
Dimming curve	linear (default) / logarithmic	

Features

- Low bay PIR Motion sensing
- 0-10V output channel for dimming control
- LED Motion indicator
- Compact form factor
- BLE 5.2 based non-flooding intelligent communication
- Zero downtime Over-the-Air(OTA) firmware updates
Supports UART

Bluetooth

Specifications	Value	Remarks
Frequency range	2402-2480MHz	
Max output power	8dBm	Conductive
Receive sensitivity	-95dBm	
Connection distance (device to device)	45m(147.6ft)	Vary depending on the installation environment

Environmental

Specifications	Value	Remarks
Operating temperature	-30 to 70°C (-22 to 158°F)	
Storage temperature	-40 to 80°C (-40 to 176°F)	
Relative humidity	90-95%	non-condensing at 30°C

Mechanical

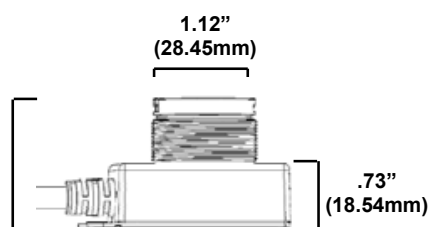
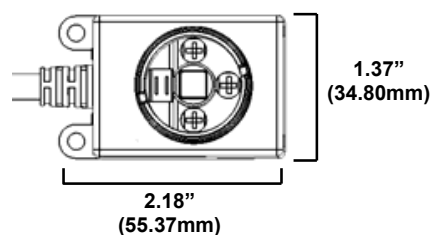
Specifications	Value	Remarks	
Dimension	With lens	55.37 X 34.80 X 39.62mm (2.18 X 1.37 X 1.56in)	Length x Breadth x Height
	Without lens	55.37 X 34.80 X 35.70mm (2.18 X 1.37 X 1.40in)	
Net weight	62g(2.19oz)		

PIR Sensor

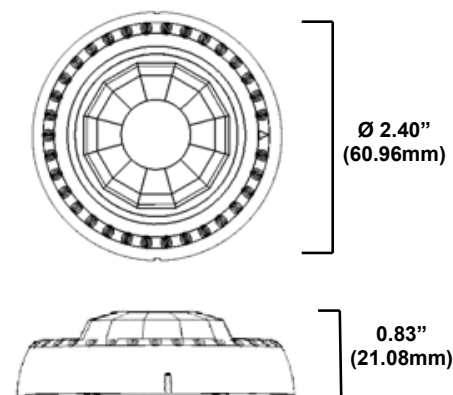
Specifications	Value	Remarks
Mounting height	up to 12.2m(40ft)	
Max detection range	12.2m(40ft)	Radius

Product Dimensions

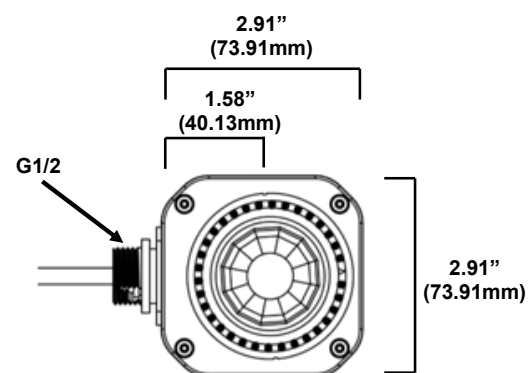
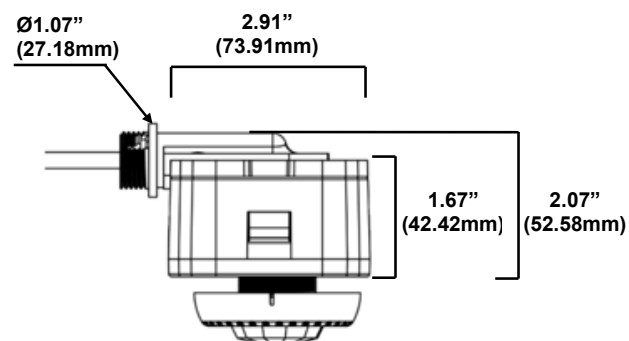
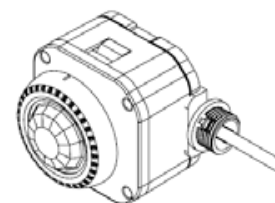
Standard Housing



Lens Cover



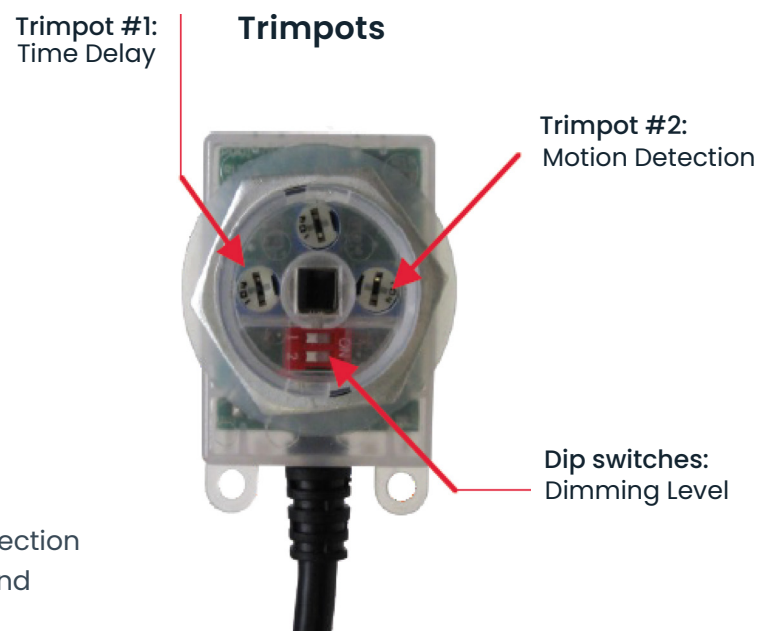
Side Mount Housing



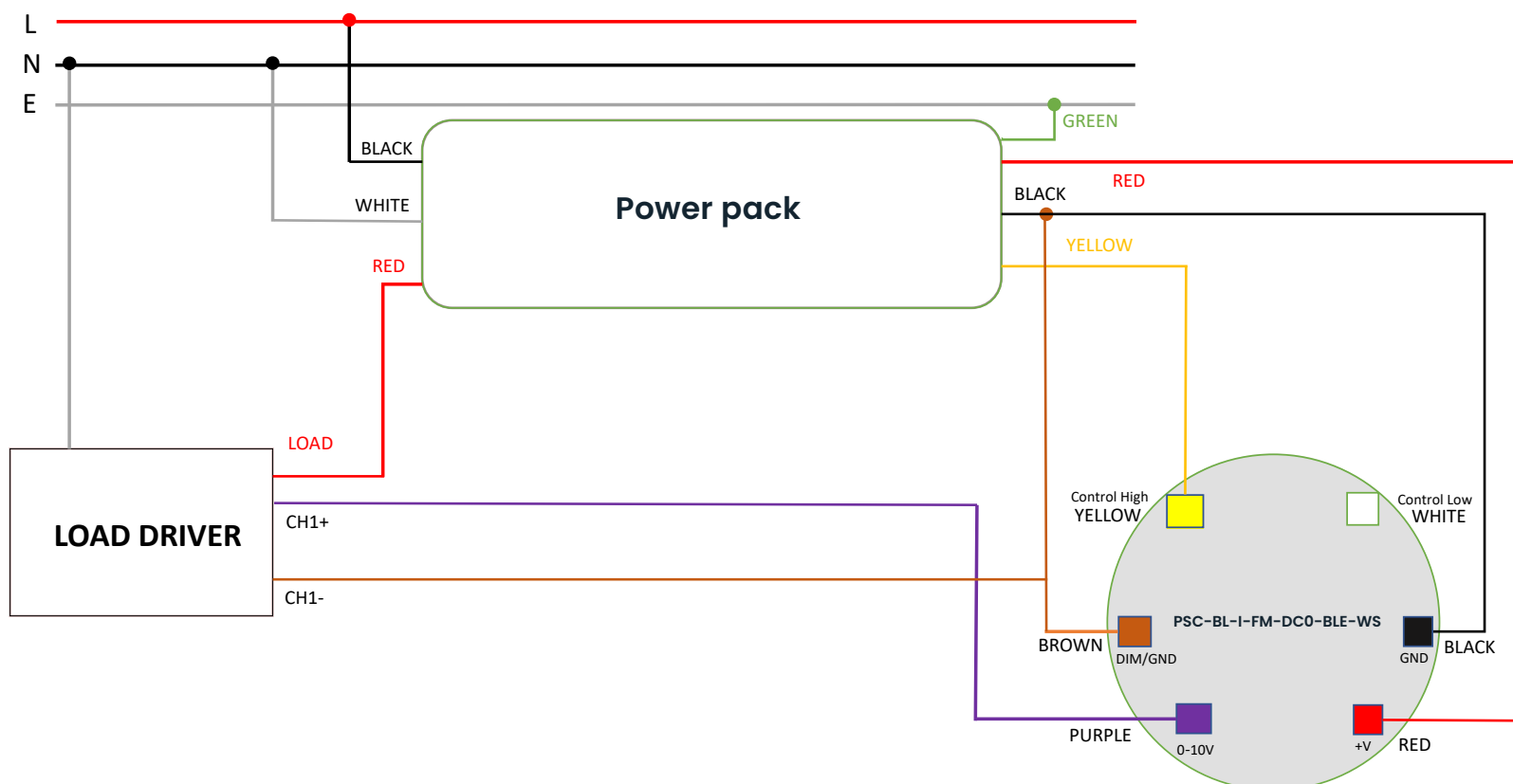
Settings Adjustment

Dip switch 1	Dip switch 2	DIM Level
OFF	OFF	OFF
OFF	ON	10%
ON	OFF	25%
ON	ON	50%

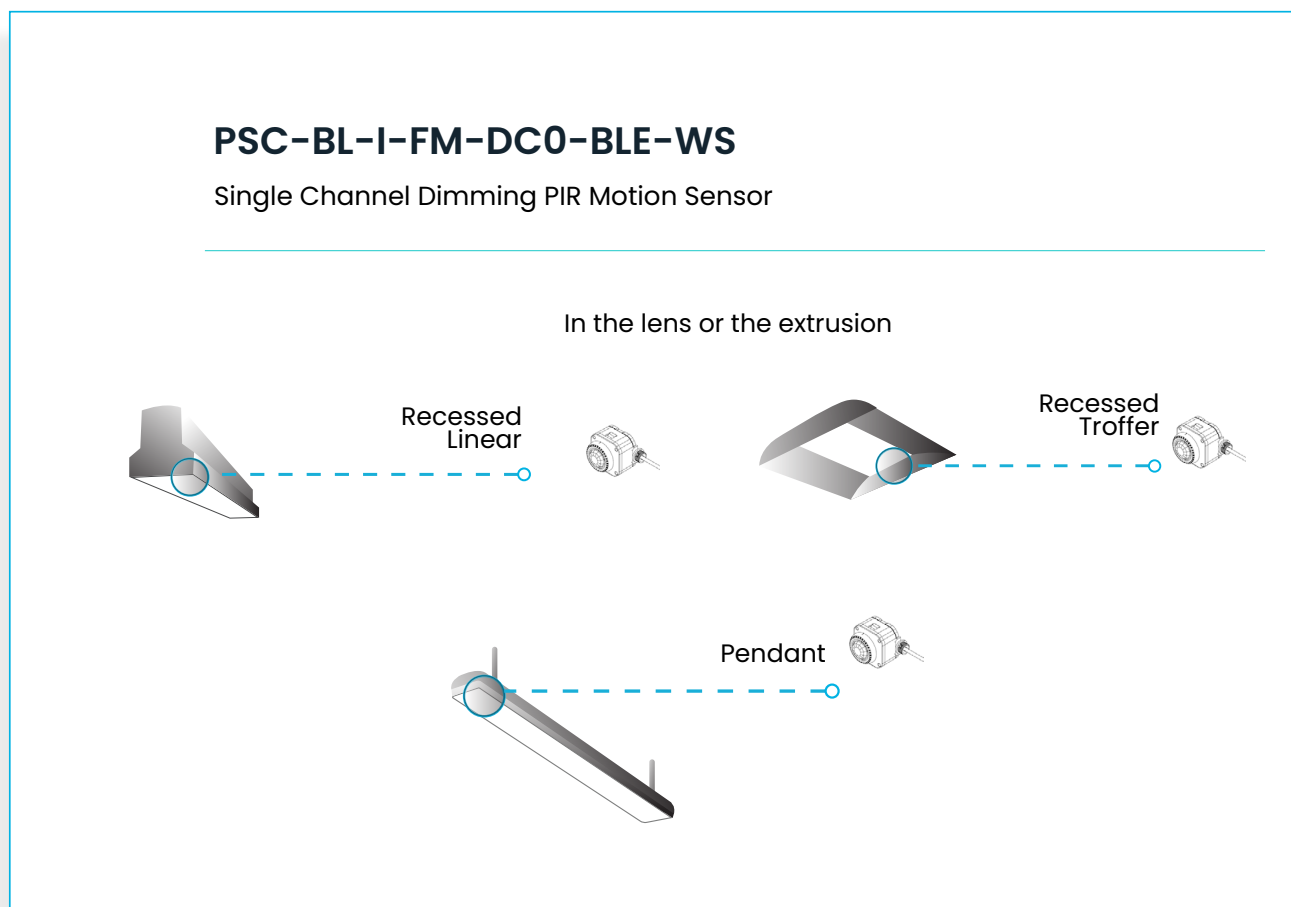
Trimpot #1 on left adjusts time delay.
Trimpot #2 on right adjusts motion detection sensitivity. Turn clockwise to increase and counter clockwise to decrease.



Wiring



Design Options



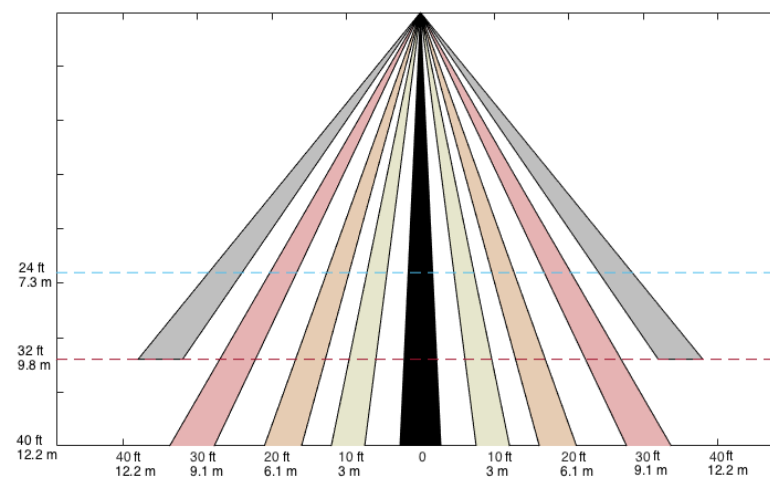
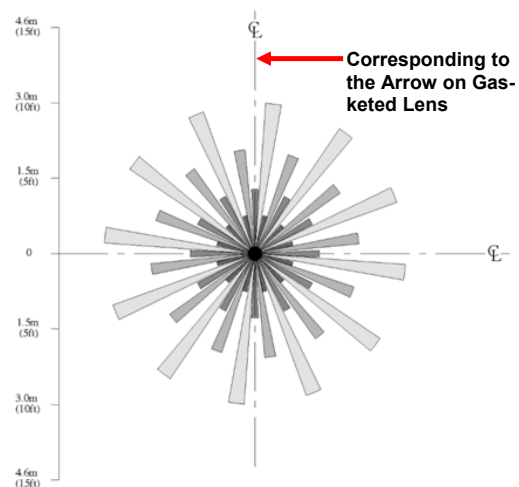
HBL: High Bay Lens-Top View at 8ft (2.4m)

HBL - Side View

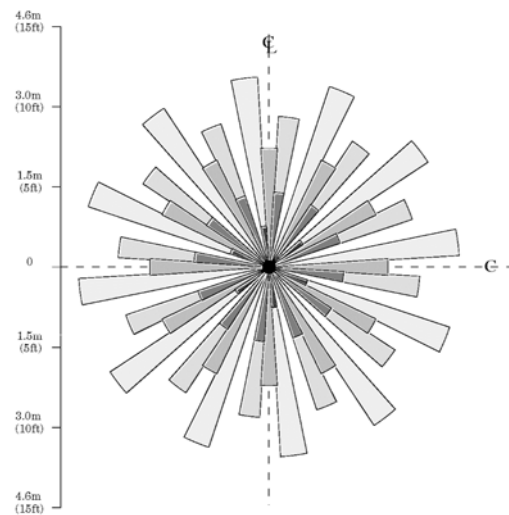
PIR Sensor Detection Range



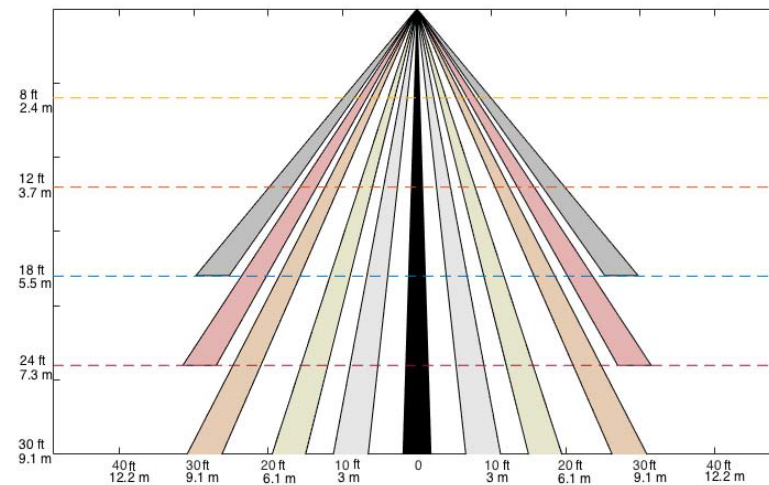
1 High-Bay Lens



LBL: Low Bay Lens-Top View at 8ft (2.4m)

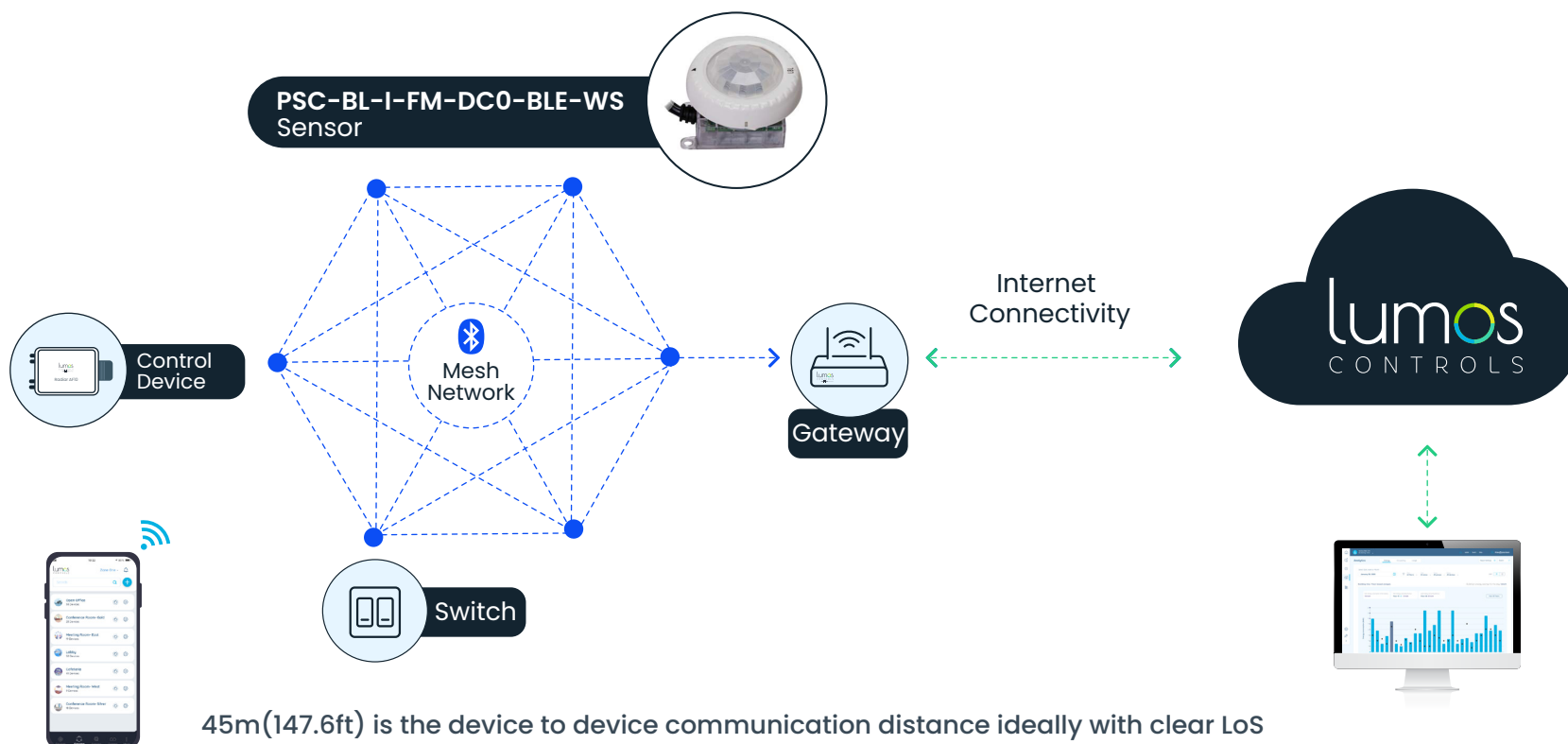


LBL - Side View

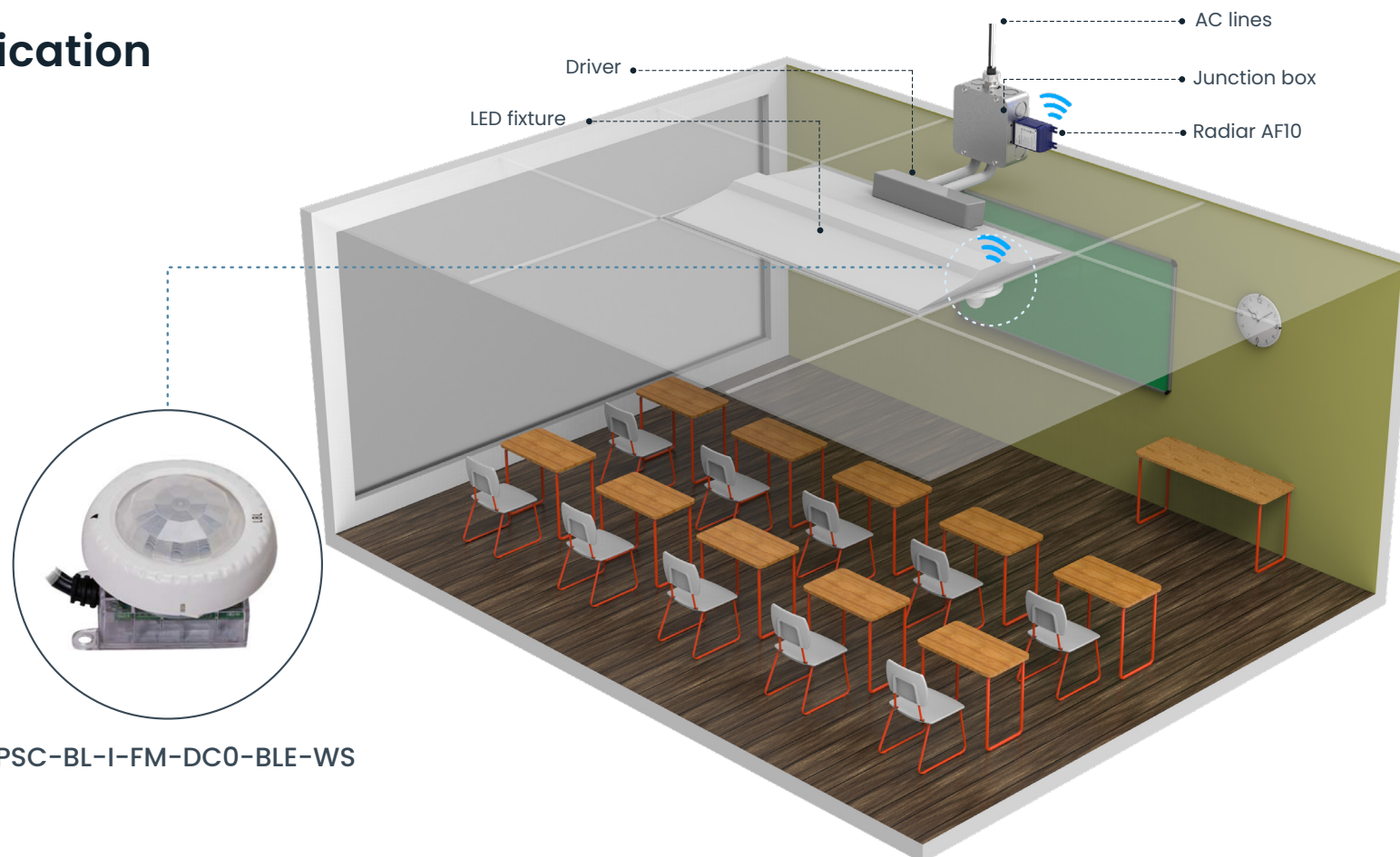


2 Low-Bay Lens

Smart Ecosystem



Application



PSC-BL-I-FM-DC0-BLE-WS

Items included in the package box

- PSC-BL-I-FM-DC0-BLE-WS
- User guide

Ordering Information

Product Code	Product Description	Communication	Voltage Rating	Sensor Input	Output Channel
PSC-BL-I-FM-DC0-BLE-WS	Single Channel Dimming PIR Motion Sensor	BLE5.2	12-24VDC	Motion Sensor	0-10V (Single Channel), UART

The Bluetooth® word mark and logos are registered trademarks owned by Bluetooth SIG, Inc. and any use of such marks by WiSilica Inc. is under license. Other trademarks and trade names are those of their respective owners.



20321 Lake Forest Dr D6,
Lake Forest, CA 92630

www.lumoscontrols.com

+1 949-397-9330