



Radiar AF10

2 channel AC powered 0-10V
fixture controller with inbuilt relay



PRODUCT OVERVIEW

Radiar AF10, the dual-channel dimming/ tunable AC fixture controller is a part of the Lumos Controls ecosystem.

The device is easy to mount in an electrical junction box or compatible fixtures. The device has dual channel 0-10V independent output to control intensity and correlated color temperature(CCT) and it has a 0-10VDC input channel and 12VDC aux output to integrate with third-party sensors.

The device with a 3A relay for load control saves time designing an intelligent lighting network that is in tune with your circadian rhythm. It can be quickly commissioned, configured, and controlled from any mobile device and can be connected to Lumos Controls cloud for data analytics and configuration management.

The Lumos Controls ecosystem comprises controllers, sensors, switches, modules, drivers, gateways, and analytical dashboards. It is listed by the **Design Lights Consortium (DLC)**, qualifying it for energy conservation incentive programs and rebates by utility companies.

SPECIFICATIONS

Electrical

Specifications	Value	Remarks
Input voltage	120-277VAC	Rated input voltage
Input current	3.10A	@Max RF transmtting
Frequency	60Hz	
Load voltage	120-277VAC	
Max load current	3A	@120VAC
	1.29A	@277VAC
Max output wattage	360W	@120/277VAC
Inrush current	20A	
Surge protection	4kV *	@Line to line bi wave

* 10kV SPD accessory available

Sensor Input

Specifications	Value	Remarks
Voltage range	0-10VDC	Analogue
Current	1mA	

FEATURES

- Dual channel 0-10V independent output to control intensity and corelated color temperature (CCT)
- Auxiliary 12V/200mA output to power sensors
- 0-10VDC input channel to integrate with third party sensors
- 3A relay for turning ON/OFF DIM to 1 drivers
- Standard ½ inch chase nipple allows easy mounting to a junction box or compatible fixture
- Zero downtime Over-the-Air (OTA) firmware updates

0-10V Output

Specifications	Value	Remarks
Number of channels	2	
Voltage range	0-10VDC	tolerance: ±0.2V
Current	10mA	source current per channel
Dimming range	0-100%	1000 steps resolution
Dimming curve	linear (default)/ logarithmic	

Auxiliary Output

Specifications	Value
Voltage	12VDC
Current	200mA

Bluetooth

Specifications	Value	Remarks
Frequency range	2402-2480MHz	
Max output power	8dBm	
Receive sensitivity	-92dBm	
Connection distance (device to device)	45m(147.6 ft)	Vary depending on the installation enviornment

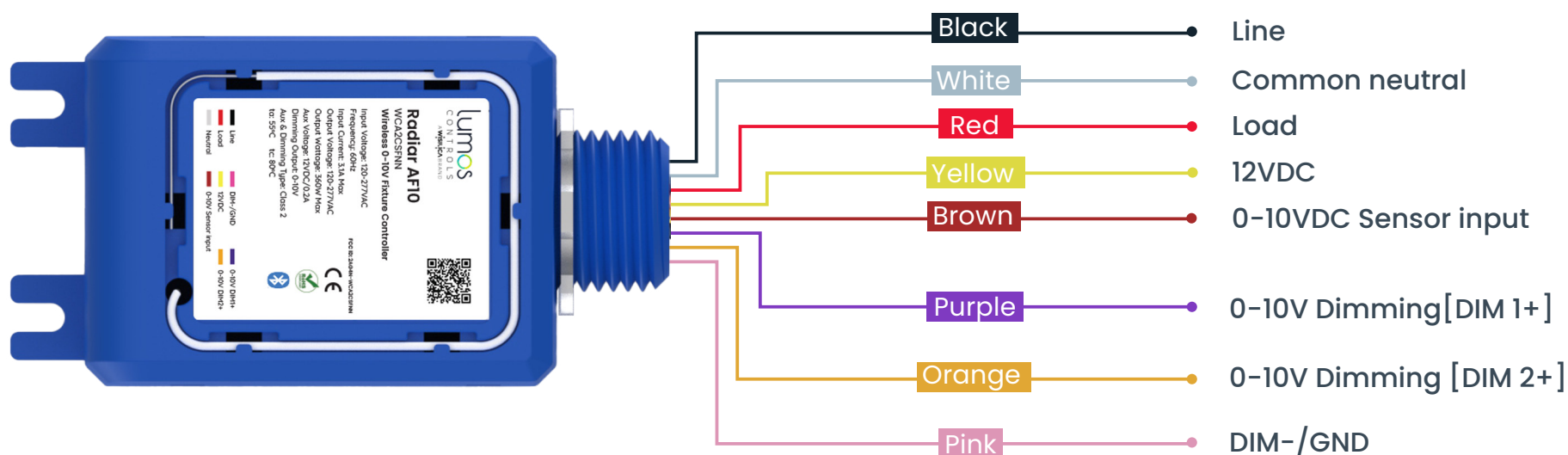
Environmental

Specifications	Value
Operating temperature	-30 to 55°C (-22 to 122°F)
Case temperature	80°C (176°F)
Relative humidity	5-95% non-condensing

Mechanical

Specifications	Value	Remarks
Dimension	3.22 x 1.71 x 1.25 (inch) 81.79 x 43.43 x 31.75 (mm)	L x W x H
Weight	93g (3.28oz)	
Case material	PC	Blue color
Flammability rating	UL 94 V-0	

WIRE DESCRIPTION



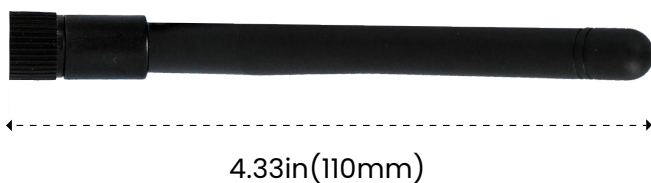
Name	Color	Gauge	Rating	Description
Line	Black	18AWG (0.75mm ²)	600V	120-277VAC
Common neutral	White	18AWG (0.75mm ²)	600V	Common neutral
Load	Red	18AWG (0.75mm ²)	600V	360W@120/277VAC
12VDC	Yellow	22AWG (0.34mm ²)	300V	12VDC auxiliary output
0-10V Sensor input	Brown	22AWG (0.34mm ²)	300V	0-10V input for sensor
0-10V DIM1+	Purple	22AWG (0.34mm ²)	300V	0-10V output for intensity
0-10V DIM2+	Orange	22AWG (0.34mm ²)	300V	0-10V output for CCT
DIM-/GND	Pink	22AWG (0.34mm ²)	300V	Common ground

ANTENNA INFORMATION

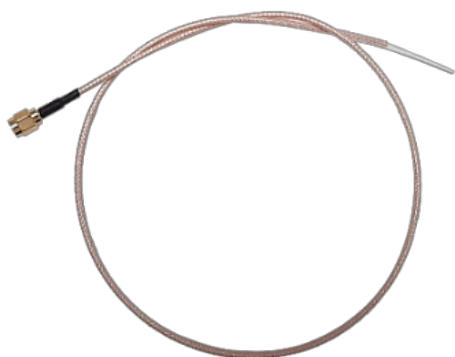
1 150mm wire antenna



2 Stick antenna



3 600mm wire antenna



Antenna Properties

Frequency range	2.4GHz-2.5GHz
Impedance	50Ω Nominal
VSWR	1.92:1 Max
Return loss	-10dB Max
Gain(peak)	1.5dBi
Cable loss	0.3dBi Max
Polarization	Linear

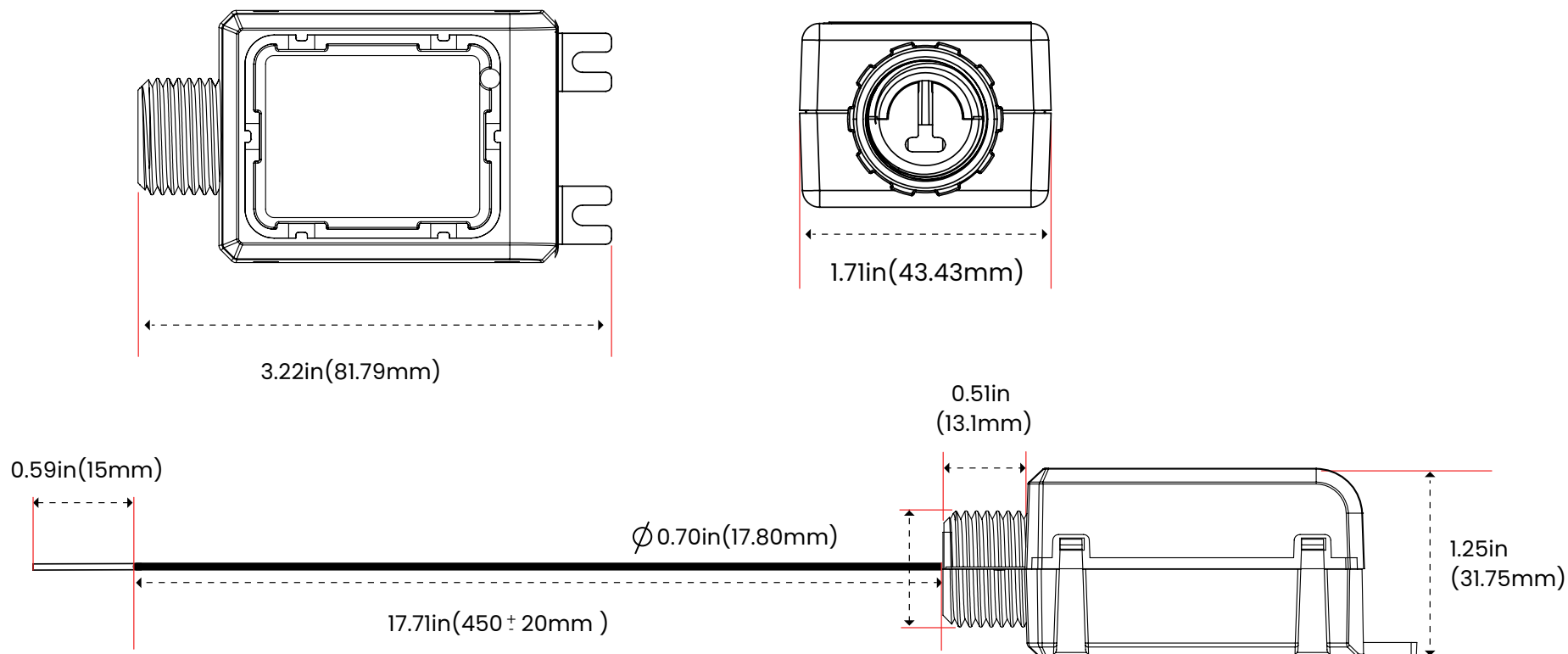
Antenna Properties

Frequency range	2.4GHz-2.5GHz
Impedance	50Ω
VSWR	≤ 1.8
Return loss	≥ 12dB
Gain(peak)	2dBi
Power handling	10W
Polarization	Vertical
Radiation pattern	Omni-directional

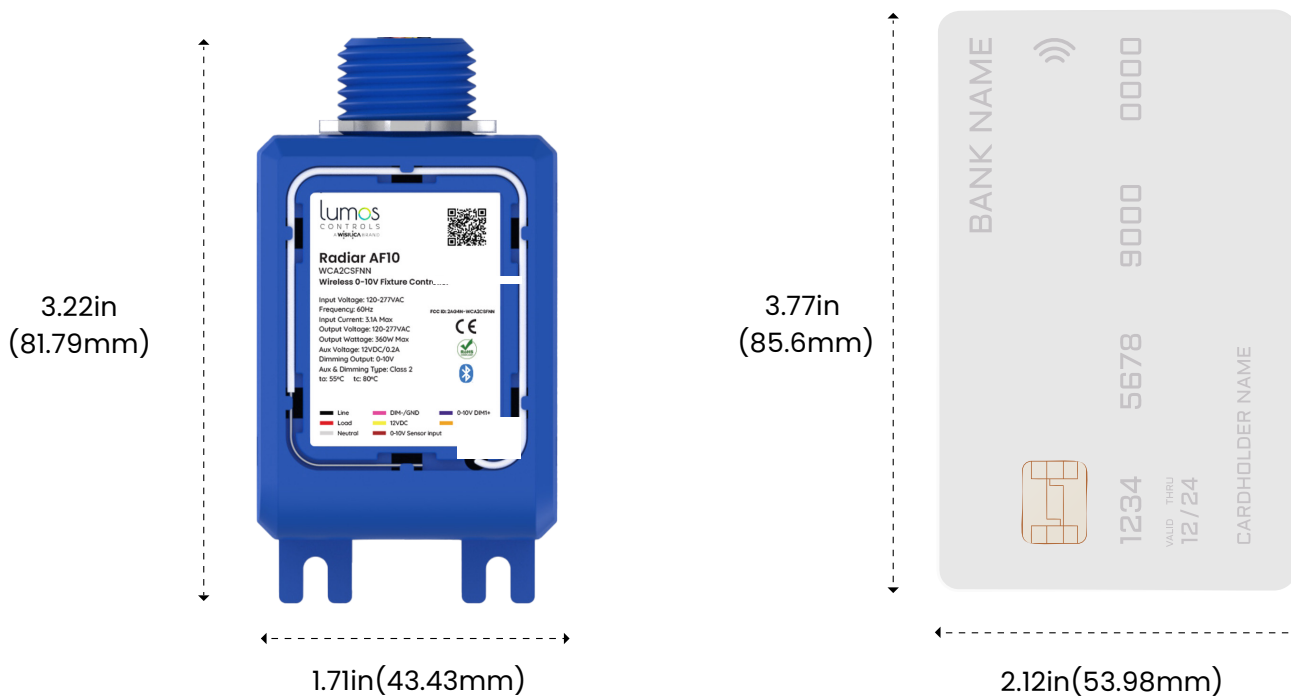
Antenna Properties

Frequency range	2.4GHz-2.5GHz
Impedance	50Ω Nominal
VSWR	1.92:1
Return loss	-10dB Max
Gain(peak)	2dBi
Cable loss	0.3dBi Max
Polarization	Linear vertical
Admitted power	2W

PRODUCT DIMENSIONS



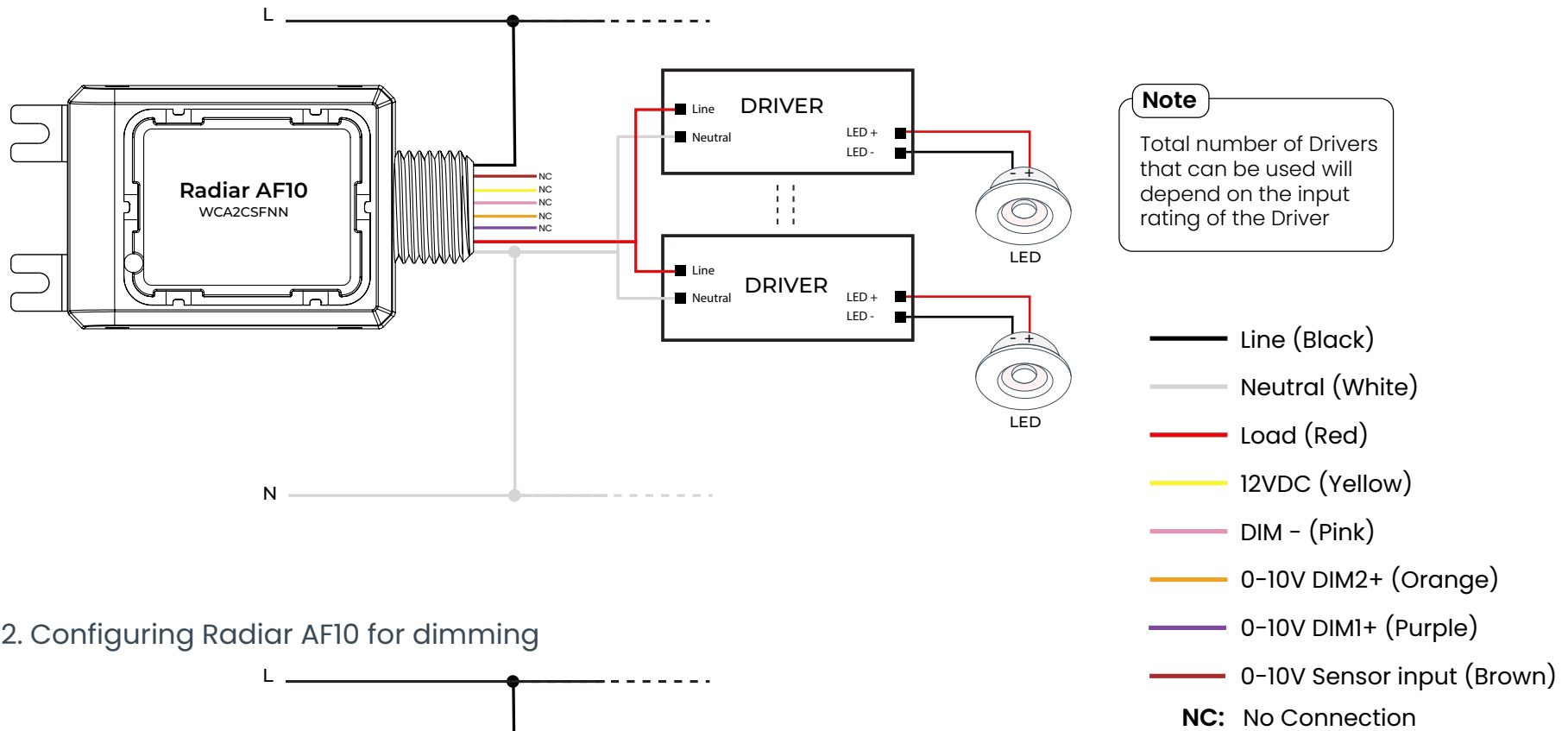
■ Size comparison with a standard credit card



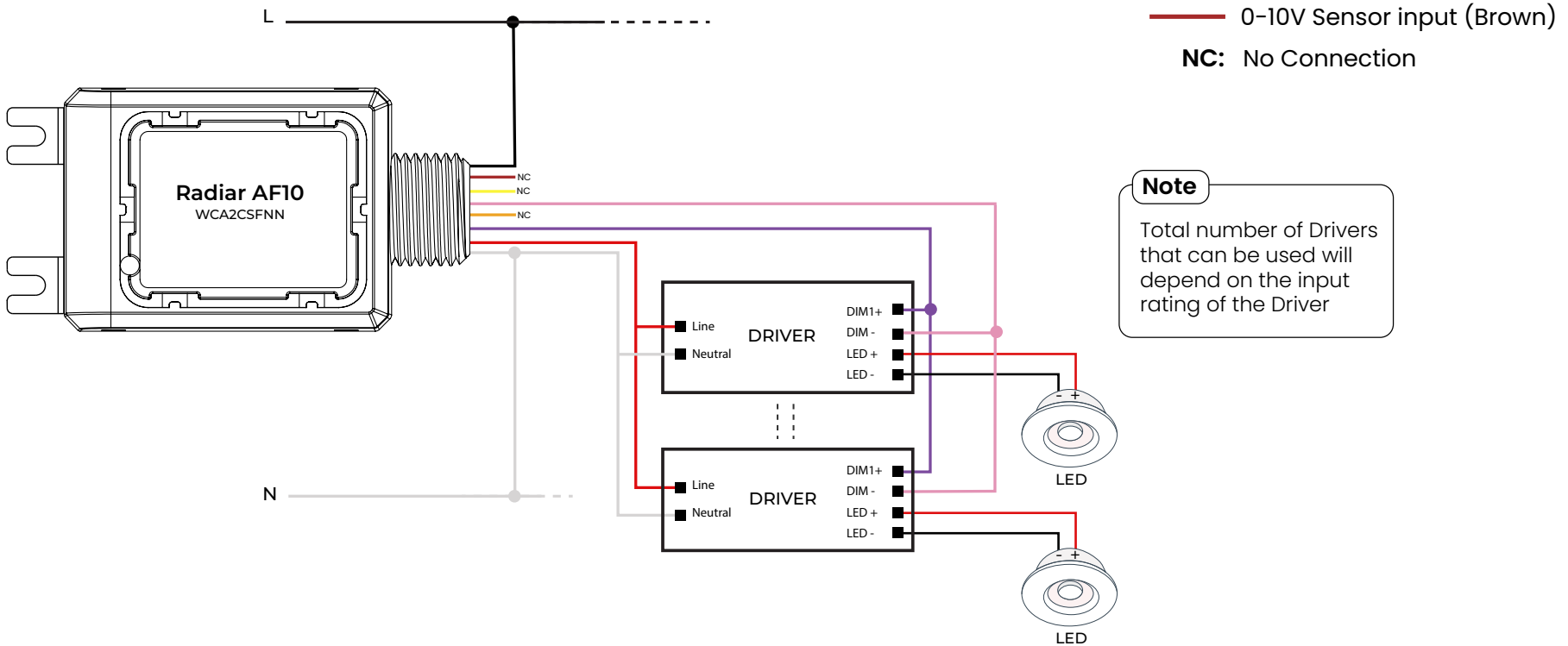
WIRING

Radiar AF10 can be installed in a deep junction box or fixture with standard ½ inch knockouts

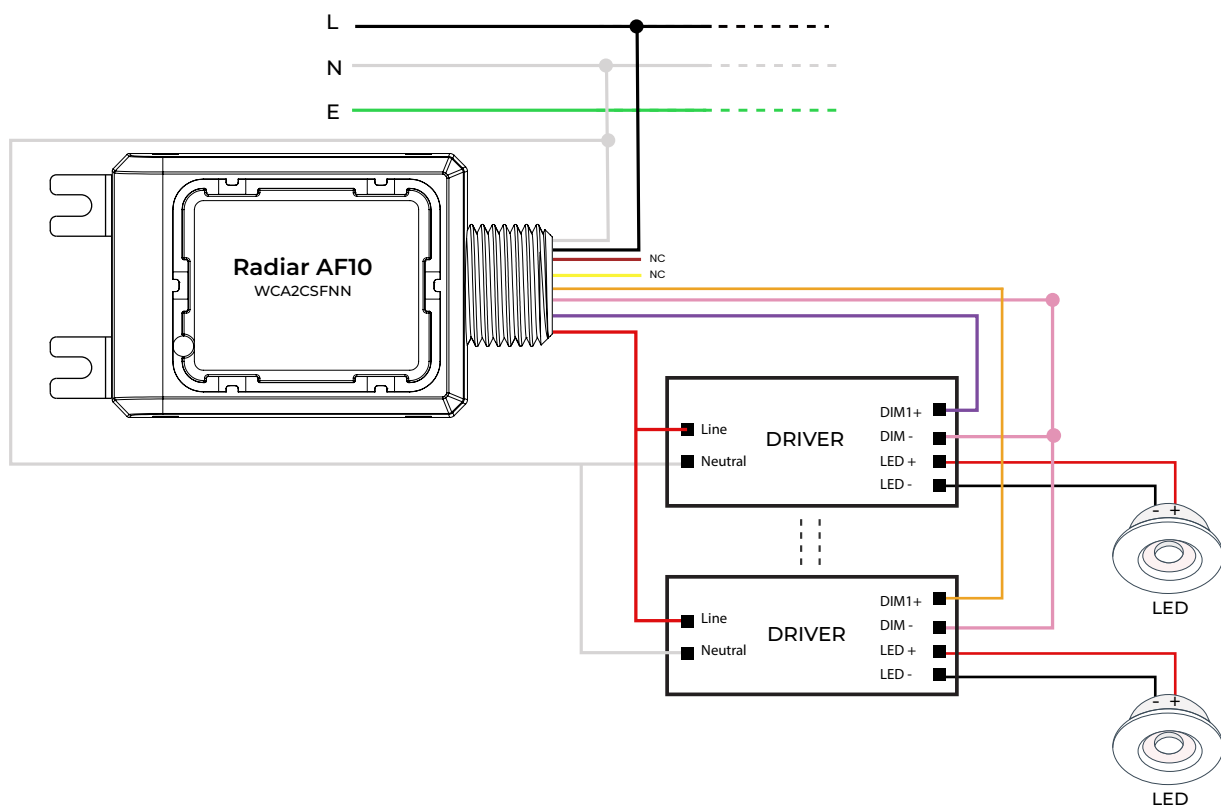
1. Configuring Radiar AF10 in relay mode



2. Configuring Radiar AF10 for dimming



3. Configuring Radiar AF10 for dimming and tuning

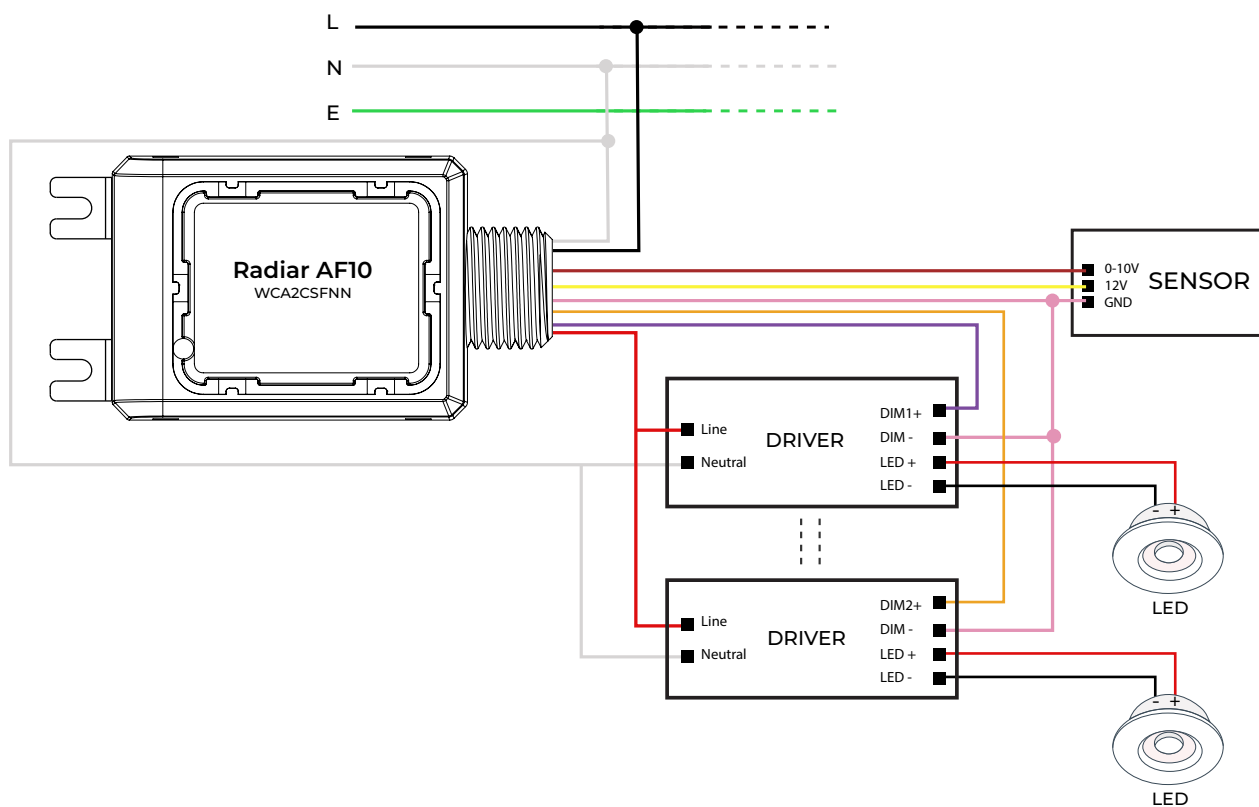


Note

Total number of Drivers that can be used will depend on the input rating of the Driver

- Line (Black)
- Neutral (White)
- Load (Red)
- 12VDC (Yellow)
- DIM - (Pink)
- 0-10V DIM2+ (Orange)
- 0-10V DIM1+ (Purple)
- 0-10V Sensor input (Brown)
- NC:** No Connection

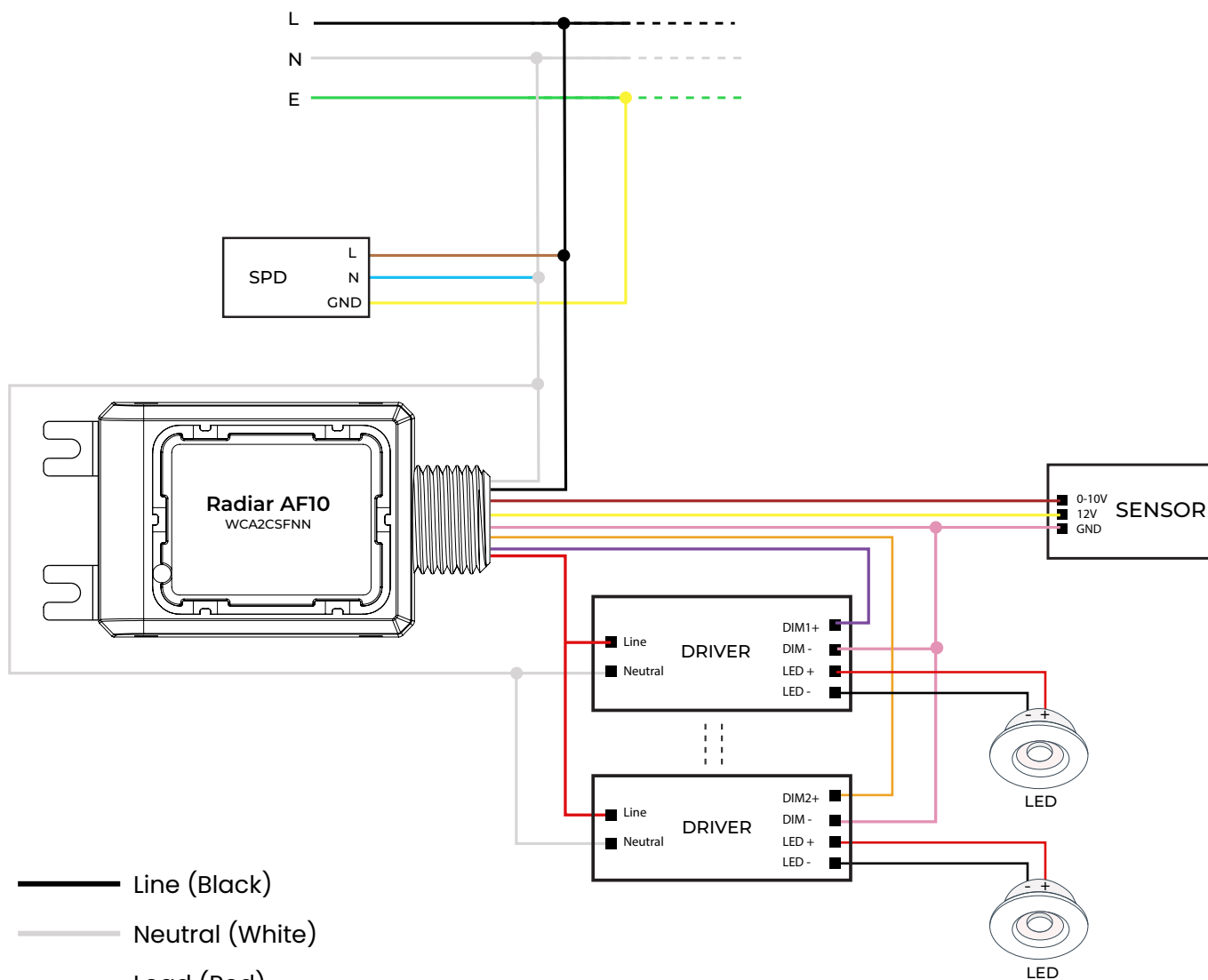
4. Configuring Radiar AF10 for dimming, tuning and an external sensor control (with additional surge protection)



Note

Total number of Drivers that can be used will depend on the input rating of the Driver

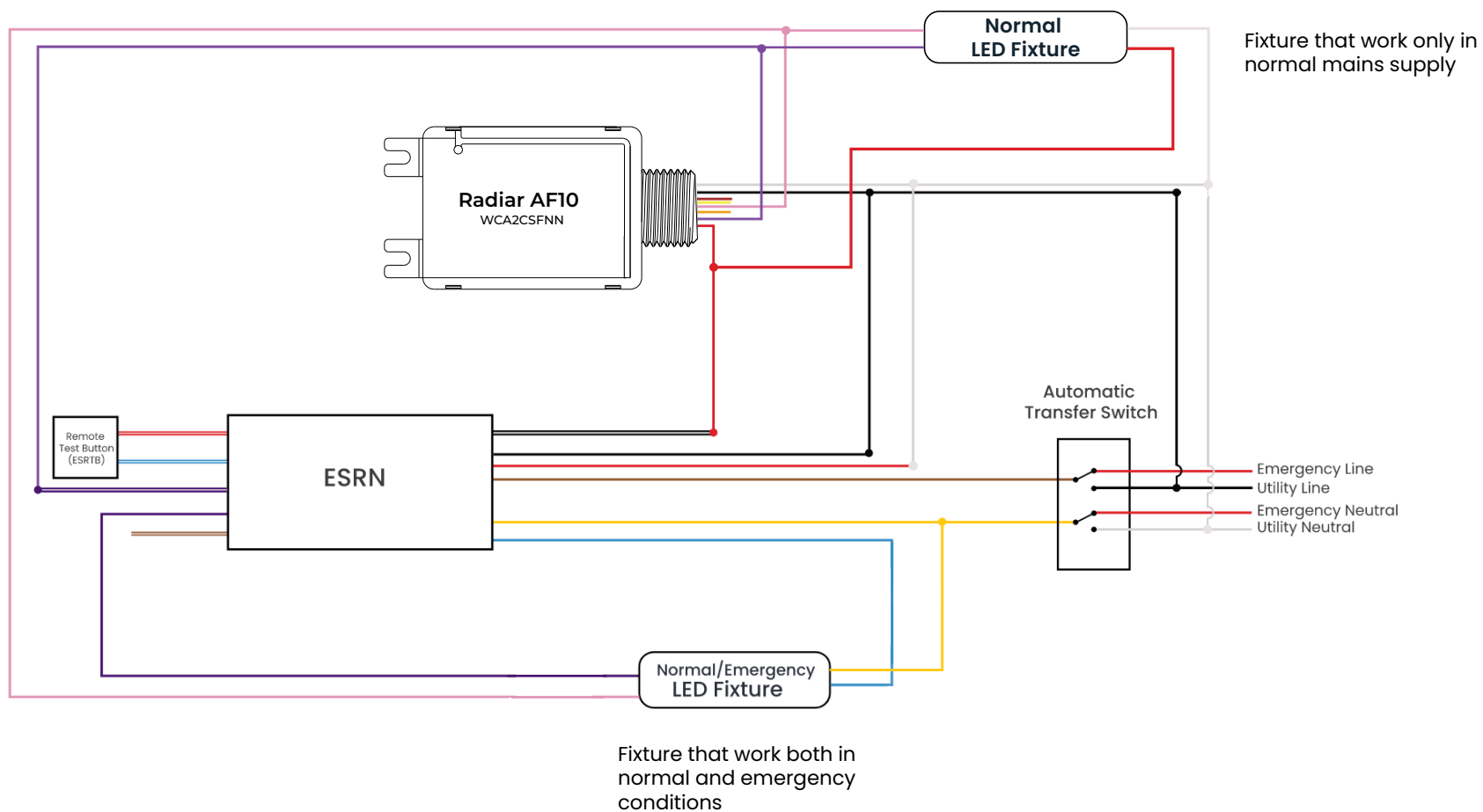
5. Configuring Radiar AF10 for dimming, tuning and an external sensor control (with additional surge protection)



Note

Total number of Drivers that can be used will depend on the input rating of the Driver

6. Configuring Radiar AF10 for Emergency Lighting Control with ESRN.



Radiar AF10 - Wire description

Line (Black)	12VDC (Yellow)	0-10V DIM1+ (Purple)
Neutral (White)	DIM- (Pink)	0-3V Sensor input (Brown)
Load (Red)	0-10V DIM2+ (Orange)	

Wire Description: ESRN

Feedback/Dimmer Contacts

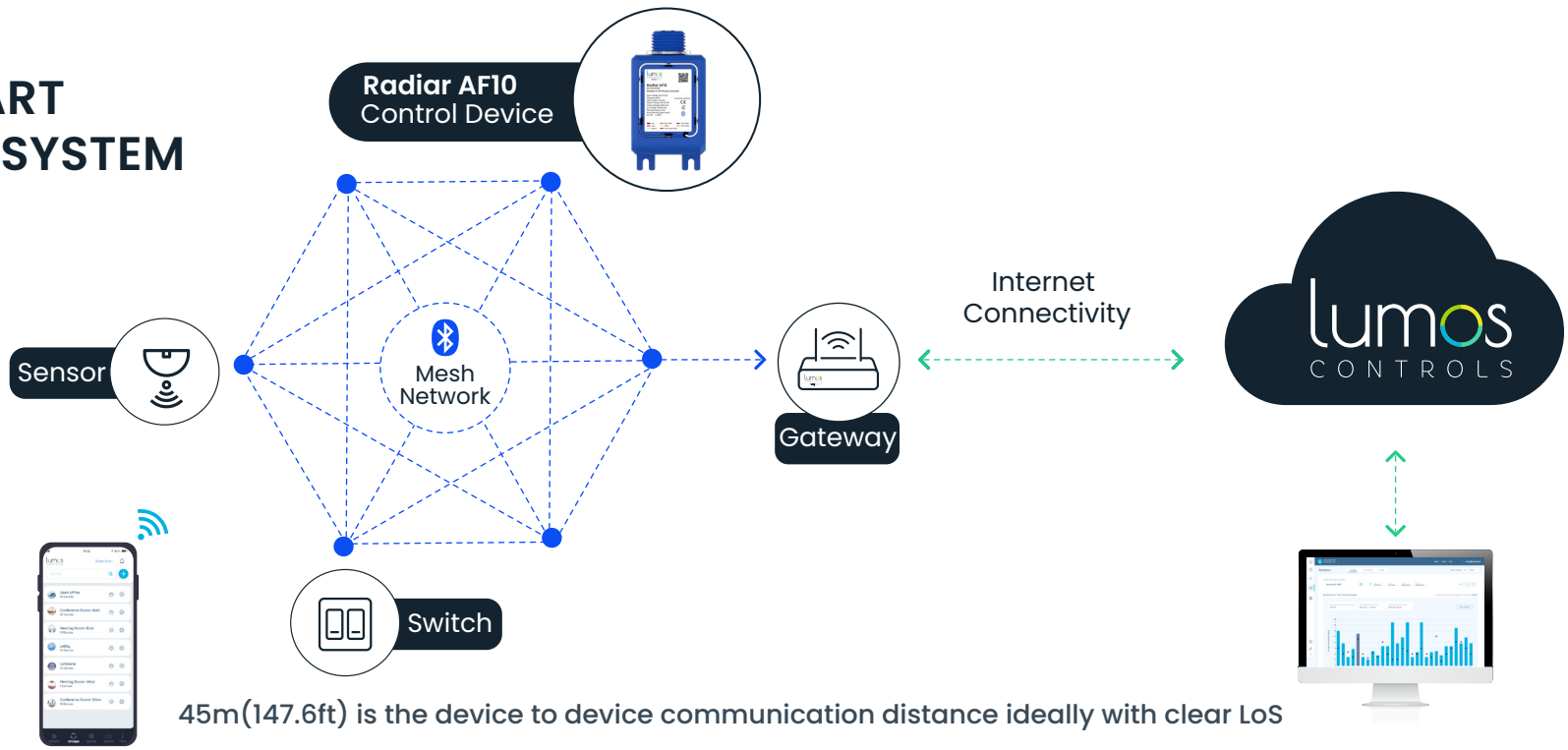
NO (White/Violet)
C (Violet)
N/C (White/Brown)

Remote Test Input

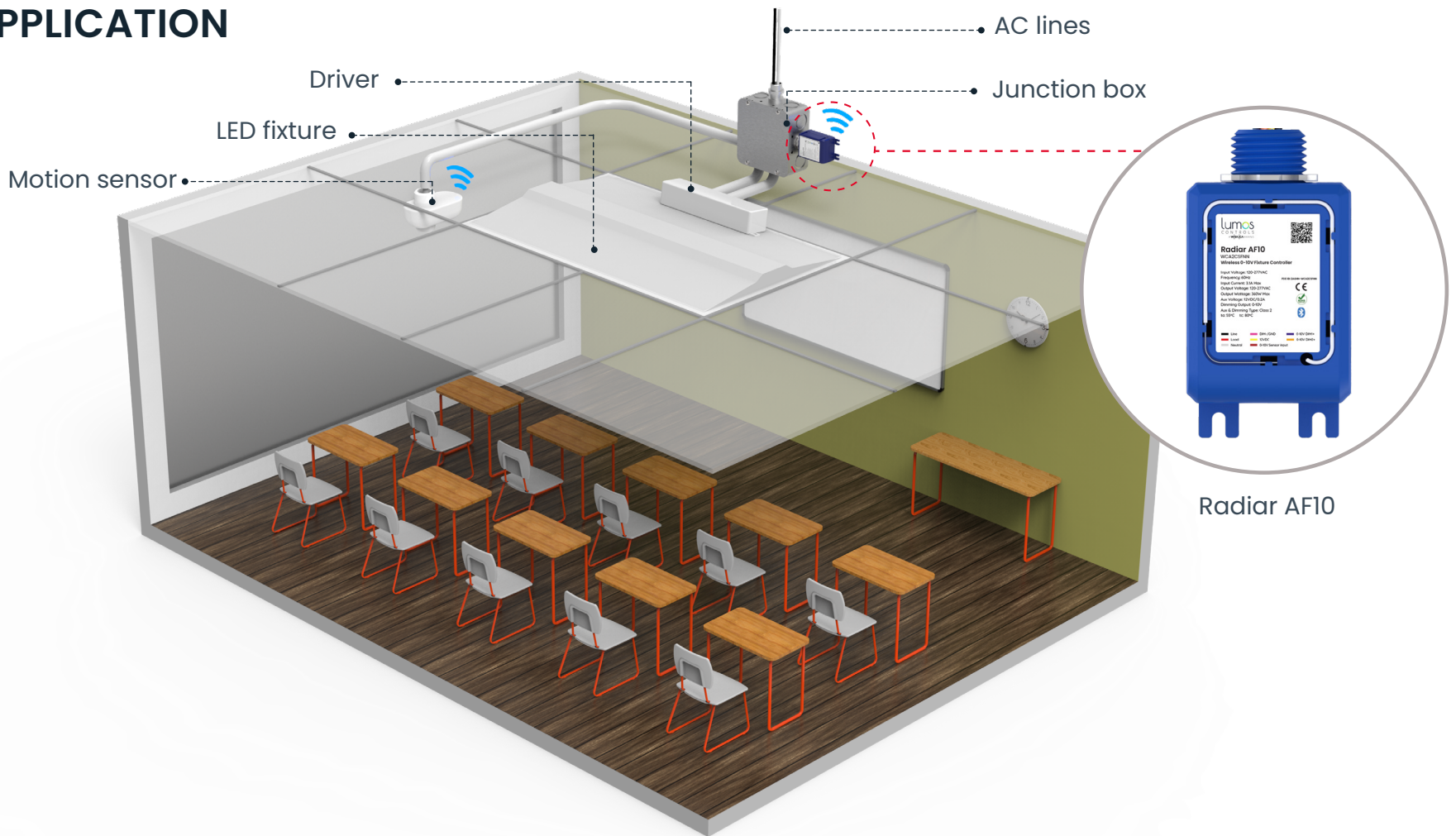
White/Red
White/Blue

Normal Hot (Black)
Normal Switched Hot (White/Black)
Normal Neutral (Red)
Emergency Neutral (Yellow)
Emergency Hot (Brown)
Emergency Hot to Load (Blue)

SMART ECOSYSTEM



APPLICATION



ITEMS INCLUDED IN THE PACKAGE BOX

- Radiar AF10
- User manual
- Metallic locknut
- Wire nuts

ORDERING INFORMATION

Product Code	Product Name	Product Description	Communication	Voltage Rating	Sensor Input	Output Channel	Aux Power
WCA2CSFNN	Radiar AF10	Wireless 0-10V dual channel dimming AC powered fixture controller	BLE5.2	120-277VAC	0-10VDC	0-10V 2 Channels	12VDC

ACCESSORIES

Product Code : SPDIPRIP67	Product Description : LED Surge Protection Device	<i>SPD offers protection up to 10kV</i>
---------------------------	---	---

The Bluetooth® word mark and logos are registered trademarks owned by Bluetooth SIG, Inc. and any use of such marks by WiSilica Inc. is under license. Other trademarks and trade names are those of their respective owners.



20321 Lake Forest Dr D6,
Lake Forest, CA 92630

 www.lumoscontrols.com

 +1 949-397-9330