

Radiar Z10: 0-10V Zhaga Controller

Product Overview

Radiar Z10 is BLE5.2 wireless 12-24VDC powered controller that comes within a Zhaga book 18 formfactor. This compact product has 0-10V single channel output to control an LED driver. This IP65 rated plug and play device is specially designed for UFO high-bay fixtures, shoeboxes, wall packs, streetlights applications.



Product Features

- BLE 5.2 strong wireless communication
- Powered from 12-24VDC auxiliary output of driver
- 0-10V single channel output for controlling the intensity of driver
- Compact sized for easy installation
- IP65 rated for outdoor applications
- Supports Over-the-Air (OTA) firmware updates

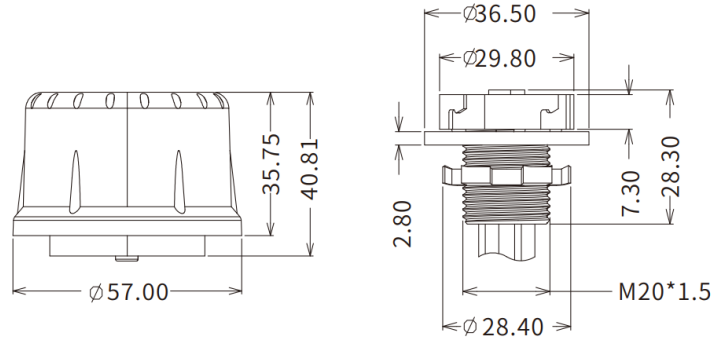
Technical Product Specifications

Parameters	Value
Input voltage	12-24VDC
Input current	≥ 20mA
Bluetooth operation frequency	2.4-2.483GHz
Bluetooth transmission power	8dBm
Bluetooth range	10-45m depends on the environment
Dimming output channel	0-10V/ 20mA, 0-100% range
Working temperature	-20 to 70°C
IP rating	IP65
Certifications	CE, RoHS

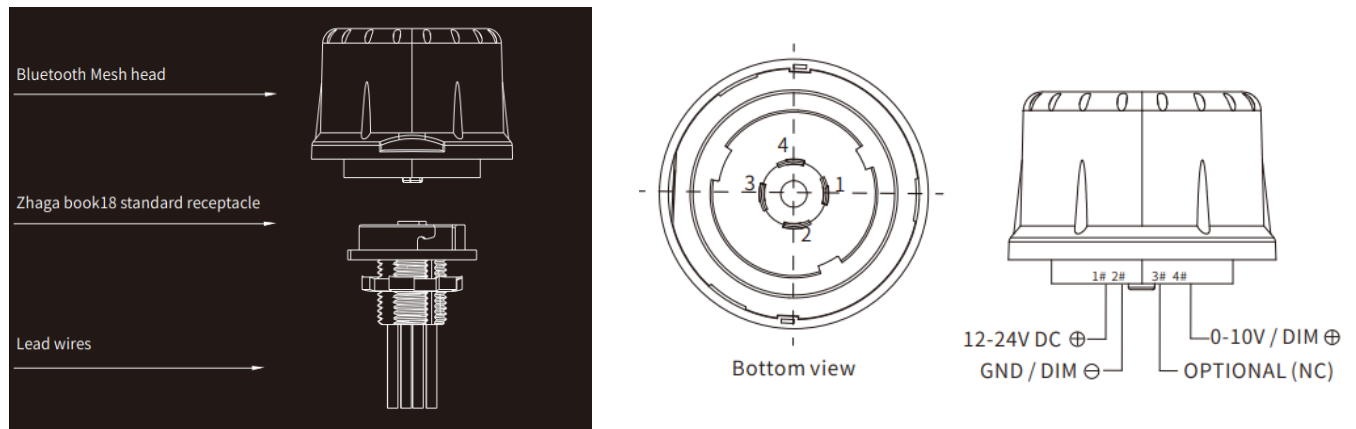


Product Dimension

All dimensions are in mm



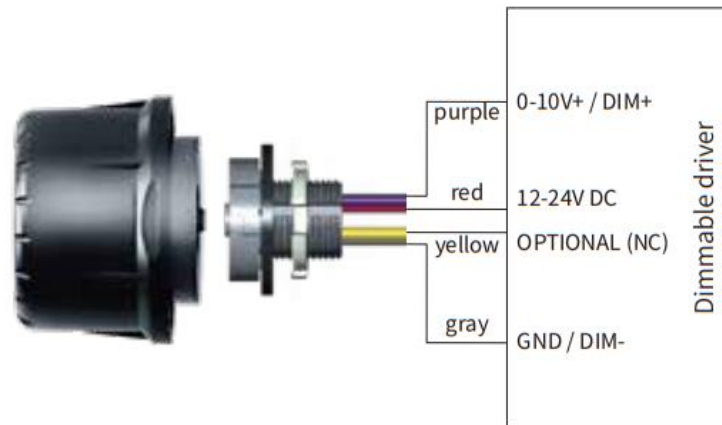
Pin/Wire Description



Pin	Description	Lead wire color
1	12-24VDC input	Red
2	GND/DIM-	Gray
3	No Connection	Yellow
4	0-10V DIM+	Purple



Wiring Diagram



The product is powered from 12–24VDC auxiliary output of driver. 0–10V output channel is connected to the driver for dimming.

