



# SCU WALL REMOTE

Self-powered Smart Panel



## Product Overview

SCU Wall Remote is a self-powered wireless smart panel that uses energy harvesting. It has a built-in energy harvesting module that converts mechanical energy into electrical energy and drives the Bluetooth chip to work. It is part of the Lumos Controls ecosystem and can be configured super quickly from mobile app for control.

The Lumos Controls ecosystem comprises controllers, sensors, switches, modules, drivers, gateways, and analytical dashboards. The ecosystem is listed by the **Design Lights Consortium (DLC)**, qualifying it for energy conservation incentive programs and rebates by utility companies.

## Specifications

### Electrical

Specifications	Value	Remarks
Power supply	Self-generated mechanical energy	Maintenance free

### Bluetooth

Specifications	Value	Remark
Frequency range	2400-2483MHz	
RF transmit power	0dBm	
RF receiving	-92dbm	
Connection distance	25m	Can vary with installation environment

## Features

- Built-in energy harvesting mode
- Four configurable buttons. Can configure and control ON/OFF, Intensity, CCT and Scene etc.
- BLE 4.2 communication
- QR code scanning for easy pairing

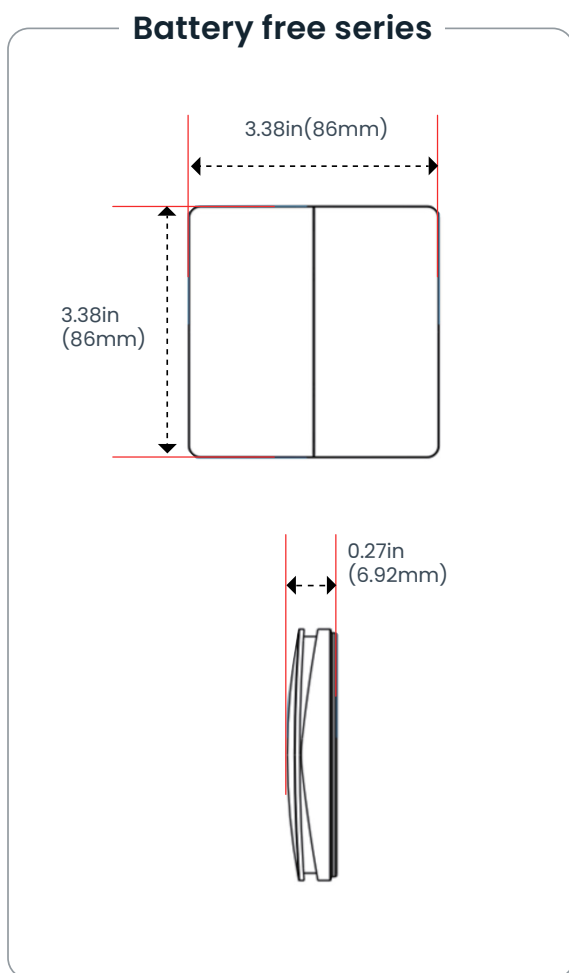
### Environmental

Specifications	Value
Ambient temperature	-20 to 50°C (-4 to 122°F)
Storage temperature	-20 to 50°C (-4 to 122°F)
Humidity	5% - 85% RH

### Mechanical

Specifications	Value	Remarks
Dimension	86 x 86 x 17mm (3.38 x 3.38 x 0.66in)	Battery free series
Dimension	54.08 x 54.08 x 20.53mm 2.12 x 2.12 x 0.80in	Handheld remote

# Product Dimensions



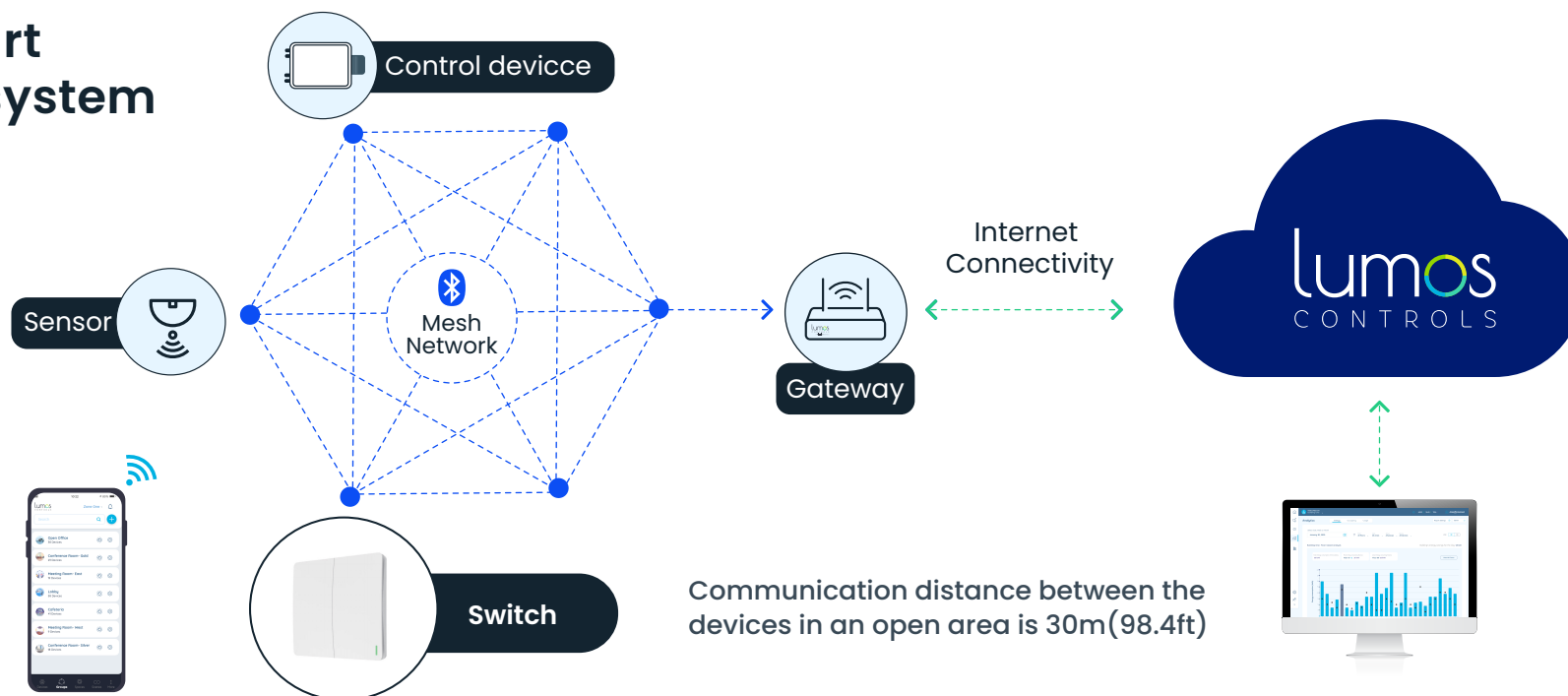
Target	Actions
All luminaires	ON/OFF, Intensity control, CCT control, Scene, Scene animation
Favourite luminaire	ON/OFF, Intensity control, CCT control, Scene, Scene animation
Groups	ON/OFF, Intensity control, CCT control
Scene	Invoke scene
Scene animation	Start, Pause, Stop, Next, Previous
No action	

## Product Models



Models	Color
SCU Wall Remote BF 4 RP W	White
SCU Wall Remote BF 4 RP G	Gold
CU Wall Remote BF 4 RP Dg	Dark Grey

## Smart Ecosystem



## Ordering Information

Product Code	Product Name	Product Description	Communication	Series	Color Options
SCU Wall Remote BF 4 RP W	Self-powered Smart Panel	Wireless 4 Button Kinetic Switch	BLE4.2	Battery free series	<input type="radio"/> White
SCU Wall Remote BF 4 RP G					<input type="radio"/> Gold
SCU Wall Remote BF 4 RP Dg					<input type="radio"/> Dark Grey

The Bluetooth® word mark and logos are registered trademarks owned by Bluetooth SIG, Inc. and any use of such marks by WiSilica Inc. is under license. Other trademarks and trade names are those of their respective owners.



20321 Lake Forest Dr D6,  
Lake Forest, CA 92630

[www.lumoscontrols.com](http://www.lumoscontrols.com)  
+1 949-397-9330