



Catron V

Wireless 5 Button Remote



Product Overview

Catron V is a battery-powered switch that controls ON/OFF, intensity, and Correlated Color Temperature of an individual or group of luminaires. This five-button switch device operates on a 3V coin cell battery and is designed for maximum longevity.

It is part of Lumos Controls ecosystem, which includes controllers, sensors, switches, modules, drivers, gateways, and analytical dashboards. The device can be configured, commissioned, and controlled from any mobile device super-quick and can connect to the Lumos Controls cloud for data analytics.

The ecosystem is listed by the **Design Lights Consortium (DLC)**, qualifying it for energy conservation incentive programs and rebates by utility companies.

Specifications

Electrical

Specifications	Value	Remarks
Input voltage	3VDC	CR2032 coin cell battery

Bluetooth

Specifications	Value	Remarks
Frequency range	2402-2480 MHz	
Max output power	7 dBm	
Receive sensitivity	-92dBm	
Connection distance (device to device)	45m (147ft)	Vary depending on the installation environment

Features

- Controls ON/OFF, intensity, and CCT of an individual or a group of luminaires.
- BLE4.2 based non-flooding intelligent communication.
- Easy installation with a wall bracket and a magnet attached back of the remote.

Environmental

Specifications	Value	Remarks
Ambient temperature	0 to 50°C (32 to 122°F)	
Storage temperature	-10 to 60°C (14 to 140°F)	
Relative humidity	95%	Non-condensing

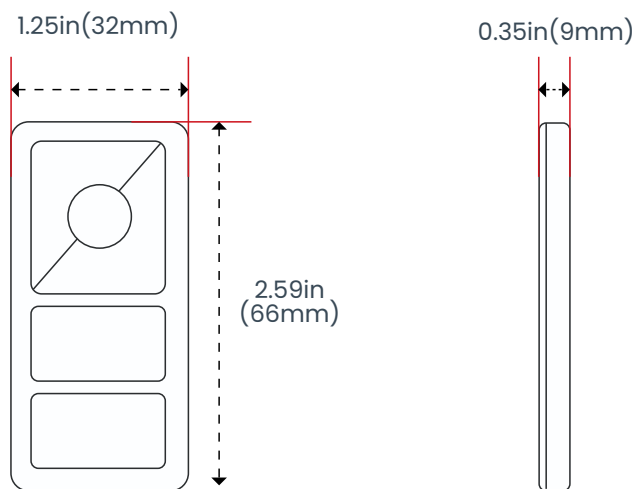
Mechanical

Specifications	Value	Remarks
Dimension	2.59 X 1.25 X 0.35in (66 X 32 X 9mm)	L X B X H (Dimensions of only remote)
	4.13 X 1.57 X 0.47in (105 X 40 X 12mm)	L X B X H (Dimensions of the remote with wall bracket)
Weight	30g(1.05oz)	

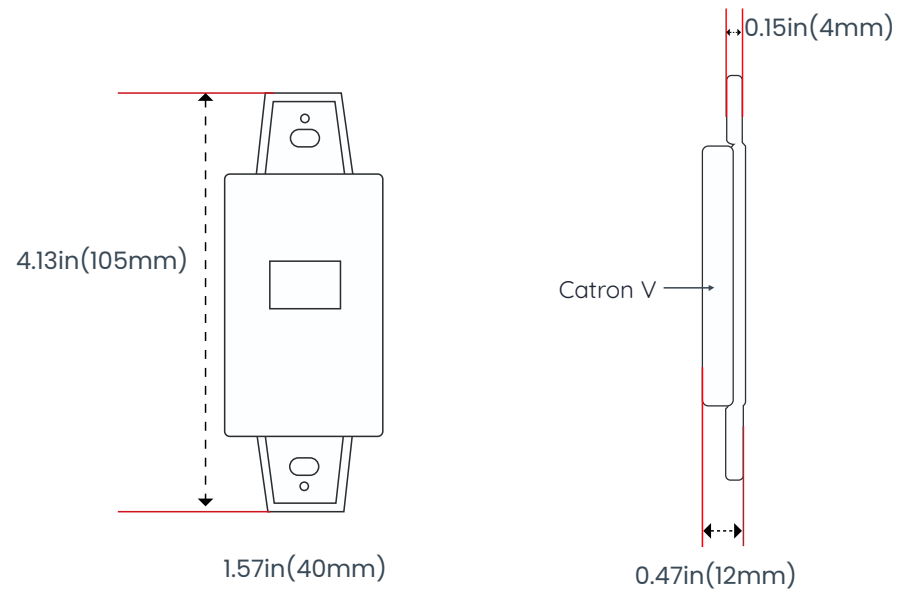
Device Dimension

Case material: 5VA PC

Remote dimensions

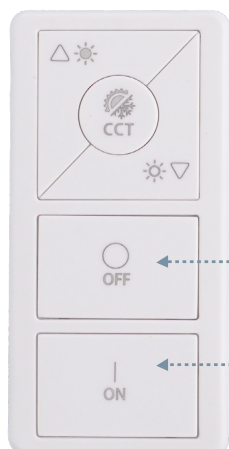


Wall bracket dimensions



Device Controls

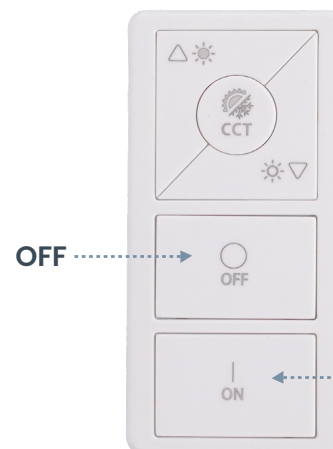
Commissioning



Long press the ON and OFF button simultaneously for 10 seconds to activate commissioning mode

A LED would lit up when the device is under the commissioning mode

ON/OFF Operation



ON and OFF buttons can be used to perform ON-OFF operations

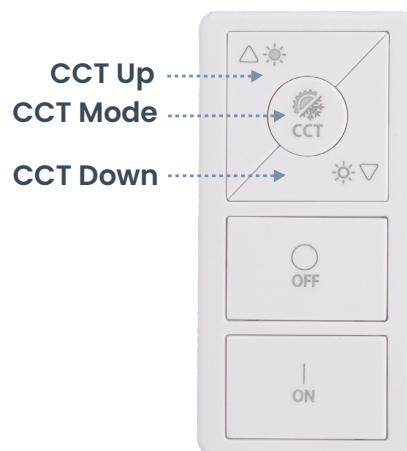
Intensity Operation



Intensity(dimming) of the luminaires can be controlled using these intensity up and down buttons

A single click on the Up and Down buttons will increase or decrease the intensity by 10%

CCT Operation

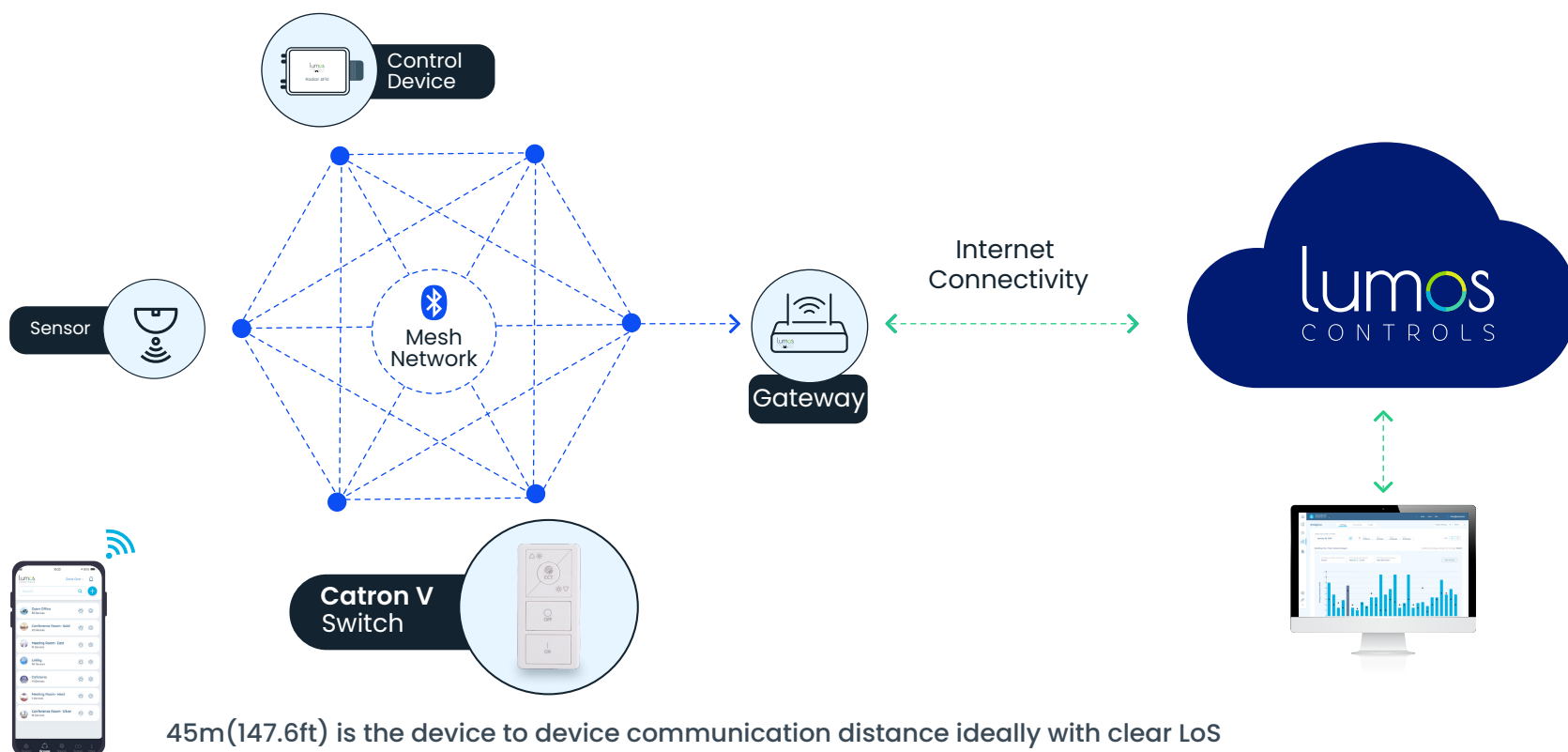


CCT operation can be performed by clicking the CCT mode button

The device will persist in CCT mode only for 10 seconds after the click

While in the CCT mode the CCT up and down buttons can be used to increase or decrease the CCT by 10%

Smart Ecosystem



Certifications	Details
CE	<p>Article 3, RED 2014/53/EU</p> <p>EMC test standards ETSI EN 301 489-1 V2.2.3(2019-11) ETSI EN 301 489-17 V3.2.4(2020-09) EN 55032: 2015/A11:2020 EN 55035: 2017+A11 :2020</p> <p>Safety test standard IEC 62368-1:2014+A11: 2017</p> <p>Radio test standard ETSI EN 300 328 V2.2.2 (2019-07)</p> <p>Health test standard: EN 50663: 2017</p>
FCC	ID: 2AKG3-875050
RoHS2.0	RoHS Directive (EU) 2015/863 amending Annex II to Directive 2011/65/EU
Bluetooth	Declaration ID: D039950

Items included in the package box

- Catron V
- User guide
- Wall bracket
- Screws

Ordering Information

Product Code	Product Name	Product Description	Communication	Voltage Rating	Functionality
WSC5B	Catron V	Wireless Battery-powered 5 Button Remote	BLE4.2	CR-2032 3V coin cell battery	ON/OFF, Dimming, Tuning

The Bluetooth® word mark and logos are registered trademarks owned by Bluetooth SIG, Inc. and any use of such marks by WiSilica Inc. is under license. Other trademarks and trade names are those of their respective owners.



20321 Lake Forest Dr D6,
Lake Forest, CA 92630

www.lumoscontrols.com
+1 949-397-9330