



Catron R8D1

Wireless Rotary Smart Remote



Product Overview

Catron R8D1, is a rechargeable lithium battery powered rotary remote, with 4 buttons and rotary dial. It has a built-in Bluetooth module that enables it to communicate and control other devices in the Lumos Controls mesh network. This remote can be custom configured using Lumos Controls mobile app to control the brightness, color temperature of the light source and invoke scenes and control animations. This elegant and easy to use rotary remote can be mounted on a table to control the system effortlessly.

The Lumos Controls ecosystem comprises controllers, sensors, switches, modules, drivers, gateways, and analytical dashboards. The ecosystem is listed by the **Design Lights Consortium (DLC)**, qualifying it for energy conservation incentive programs and rebates by utility companies.

Specifications

Electrical

Specifications	Value	Remark
Power supply	Rechargeable lithium battery	5V/1A Adaptor (C-type)

Bluetooth

Specifications	Value
Frequency range	2402-2480MHz
Transmit power	8dBm
Receive sensitivity	-95dBm

Features

- Configurable buttons and rotary dial
- Distributed network communication based on BLE 5.2
- Powered by rechargeable Lithium battery
- Low-resistance knob for smooth operation
- ABS panel on metal frame and base
- Backlighting for buttons
- Zero downtime Over-the-Air firmware update

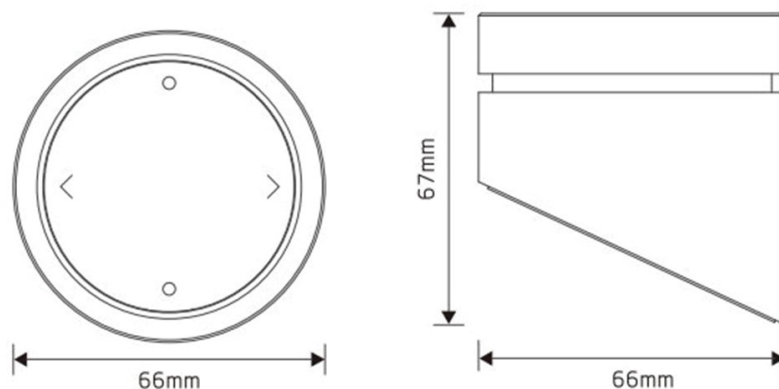
Environmental

Specifications	Value
Operating temperature	0 to 40°C (32 to 104°F)
Storage temperature	-10 to 50°C (14 to 122°F)
Storage humidity	10% to 90%

Mechanical

Specifications	Value
Weight	800g(28.2oz)
Dimension	66x67.4mm(2.59 x 2.63in)

Product Dimensions



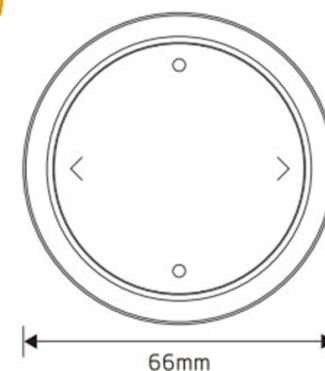
To commission the remote

Long press top button for more than 5 seconds to bring the remote to enter the commissioning mode, and all indicator lights will remain on. Now the remote can be added to network and configure required functions using Lumos Controls mobile application



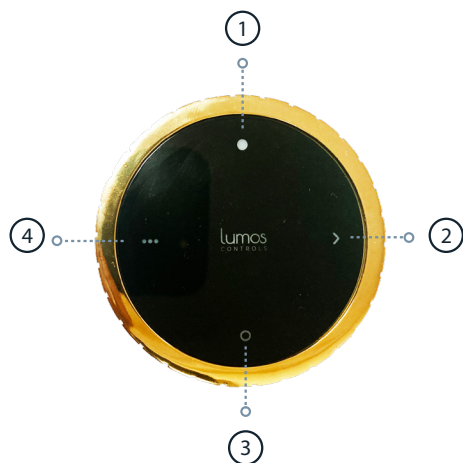
To configure the functions

Once commissioned, the remote can be configured with the required functionalities from Switch configuration within the Device settings



Push Buttons

Buttons 1-4 can be used to configure the following functions of required targets.



Target	Actions
Favorite luminaire	ON, OFF, Intensity (up & down), CCT (up & down)
Group	ON, OFF, Intensity (up & down), CCT (up & down)
Scene	ON
Scene animation	Play, Stop, Pause, Next, Previous
No action	

Pressing button 1-4 will control the configured function, and the corresponding button indicator light will flash once.

Rotary Dial

Dial can be used to configure the intensity and CCT control of required targets



Rotate the dial clockwise to activate function ⑤

Rotate the dial anti-clockwise to activate function ⑥



Double click button ② will flash indicator light twice, and rotate the dial to activate the functions ⑦ and ⑧

Rotate the dial clockwise to activate function ⑦

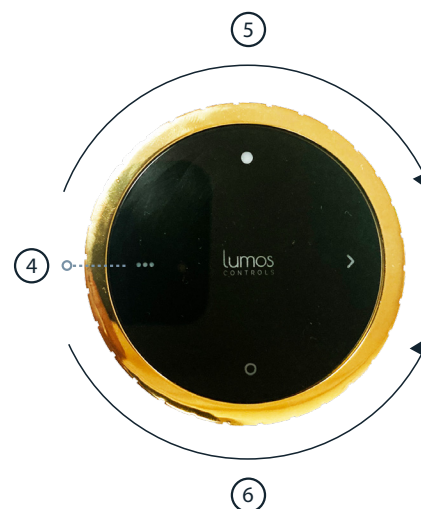
Rotate the dial anti-clockwise to activate function ⑧

The backlights flashes by clockwise or anticlockwise sequence when u rotate

10 secs of non-operation will automatically bring the functions back to ⑤ and ⑥, from ⑦ and ⑧

OR

Double click button ④ will flash indicator light twice, and rotate the dial to activate the functions ⑤ and ⑥



To recharge the remote

Remote can be recharged using the C type port given at the backside of the dial. Follow the steps to recharge the remote.

- 1 Remove the dial from the body by gently sliding to the top



- 2 Connect a C-type charger to the port for 1.5hrs to fully charge



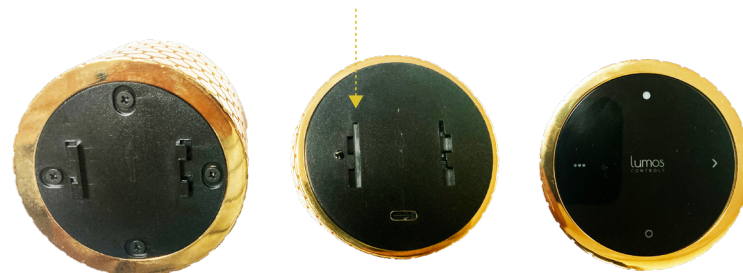
- 3 A Red colored LED indication near the charging port will help to identify the charging status



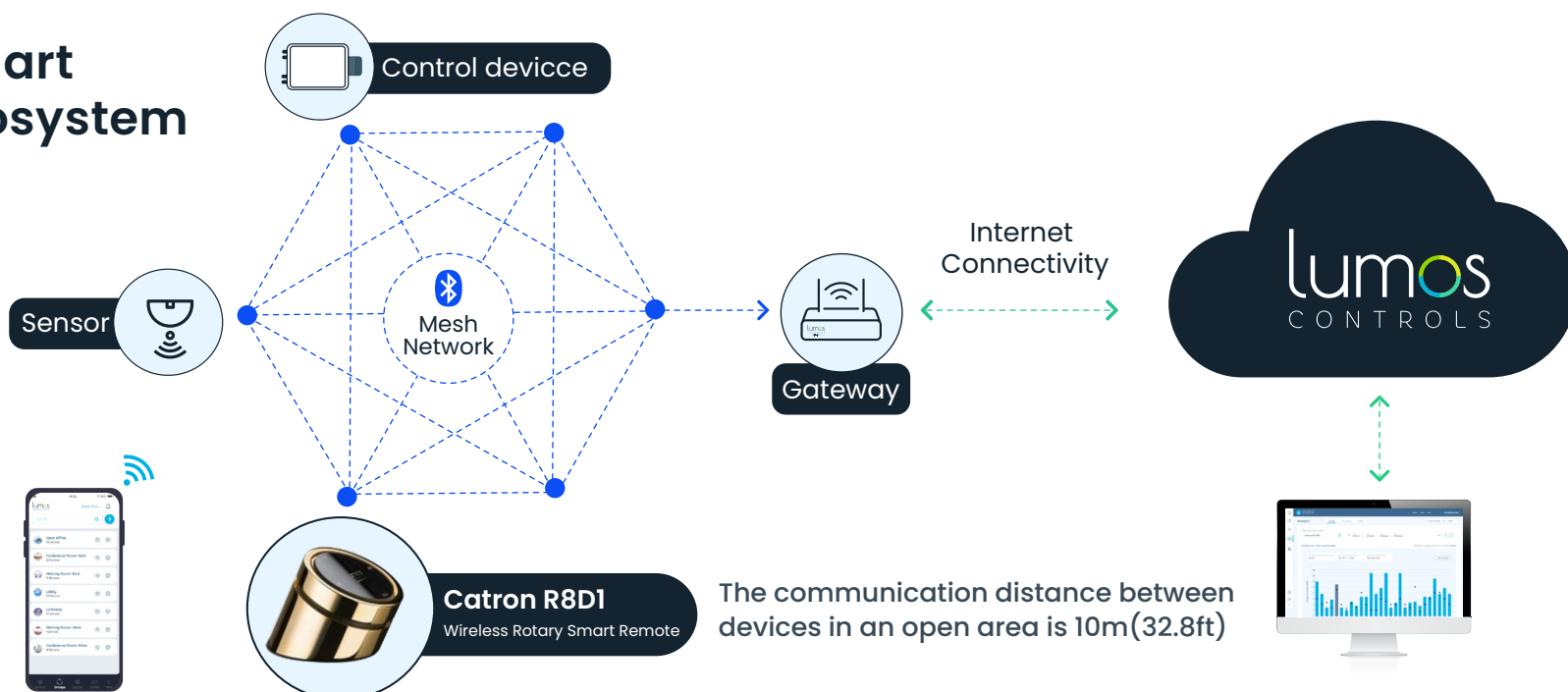
- 4 When fully charged, the Red LED will turn in to Green



- 5 Check and align the snap lock and gently slide the dial back to the body by pushing down



Smart Ecosystem



Application



Catron R8D1

Ordering Information

Product Name	Product Code	Product Description	Communication	Finish	Color
Catron R8D1	S5	Wireless Rotary Smart Remote	BLE5.0	Round-smooth	Gold Silver
				Diamond Cut	Gold Silver

The Bluetooth® word mark and logos are registered trademarks owned by Bluetooth SIG, Inc. and any use of such marks by WiSilica Inc. is under license. Other trademarks and trade names are those of their respective owners.



20321 Lake Forest Dr D6,
Lake Forest, CA 92630

 www.lumoscontrols.com

 +1 949-397-9330