

EDRPB

Wireless Self-powered 4 Button Switch



Product Overview

EDRPB is a self-powered universal energy harvesting wireless 4 button switch in the European 55x55 form factor.

The device, a part of Lumos Controls ecosystem can be configured, commissioned, and controlled from any mobile device super-quick and can connect to the Lumos Controls cloud for data analytics. The ecosystem comprises of controllers, sensors, switches, modules, drivers, gateways, and analytical dashboards. This maintenance-free BLE switch can be configured in custom mode instead of its default behavior.

The ecosystem is listed by the **Design Lights Consortium (DLC)**, qualifying it for energy conservation incentive programs and rebates by utility companies.

Specifications

Electrical

Specifications	Value
Power	Electro-dynamic energy generator, maintenance free

Bluetooth

Specifications	Value	Remarks
Frequency range	2402-2480 MHz	
Max output power	0dBm	
Receive sensitivity	-92dBm	
Connection distance (device to device)	45m (147ft)	Vary depending on the installation environment

Features

- Integrated kinetic energy harvesting
- Control ON/OFF, dimming and tuning in the default mode
- Provision for custom configuration of rocker points using Lumos Controls lighting application
- QR code-based commissioning

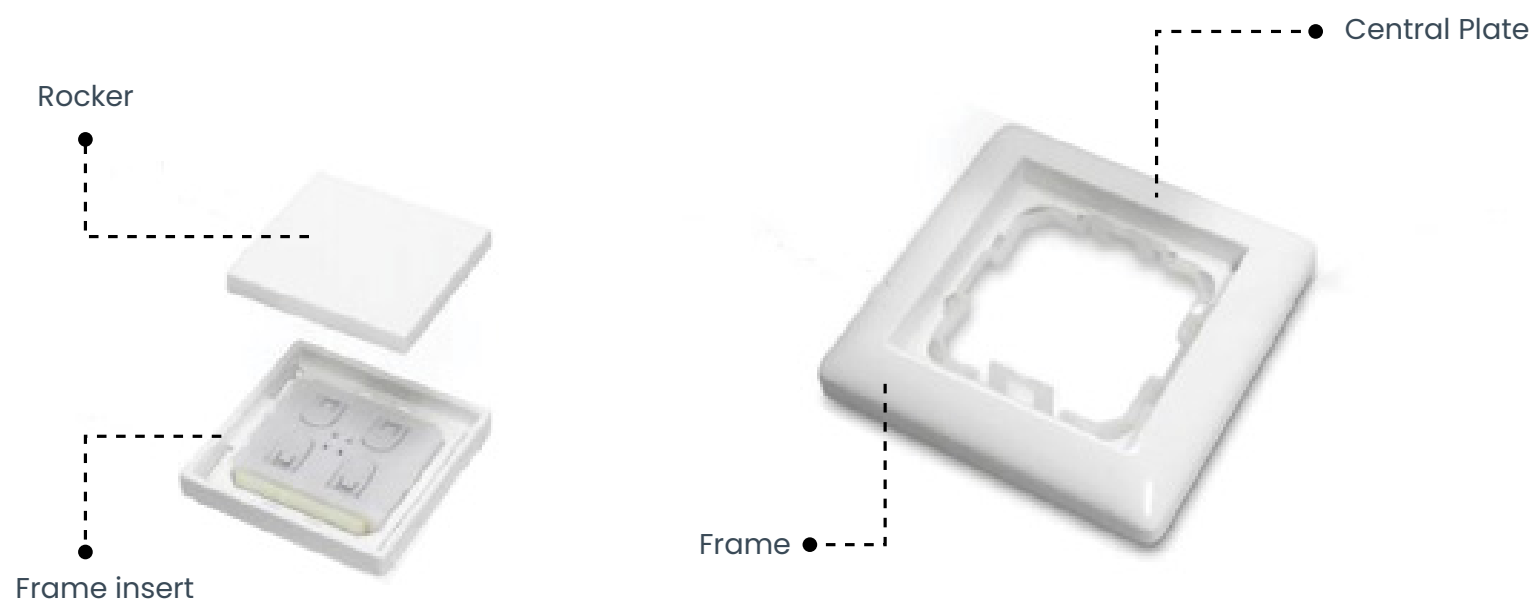
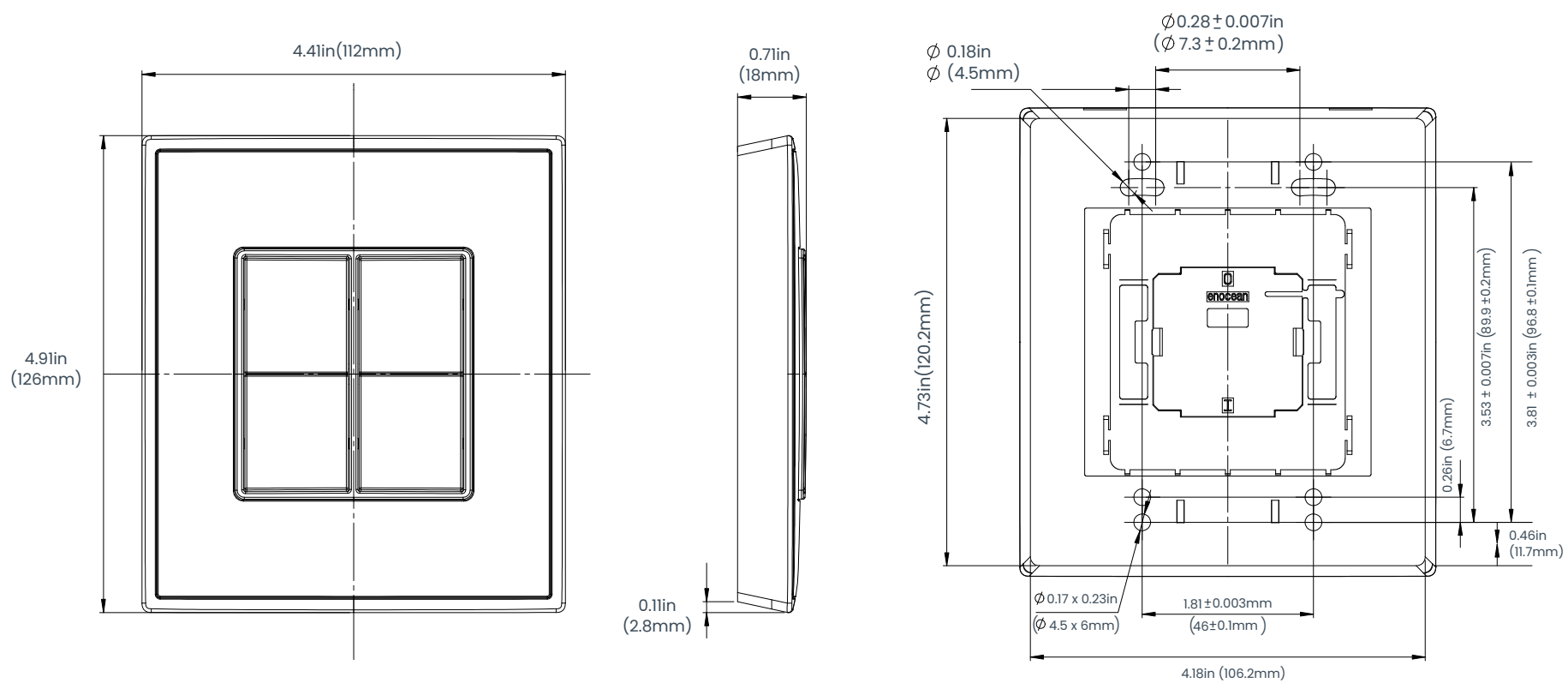
Environmental

Specifications	Value	Remarks
Ambient temperature	-25 to 65°C (-13 to 149°F)	
Storage temperature	-25 to 65°C (-13 to 149°F)	
Relative humidity	0-95%	Non-condensing

Mechanical

Specifications	Value
Dimension of double rocker	25 x 50mm(0.98 x 1.96in)
Dimensions of frame insert	55 x 55mm(2.16 x 2.16in)
Dimensions of central plate	71 x 71mm(2.79 x 2.79in)
Dimensions of frame	81 x 81mm(3.19 x 3.19in)
Weight	5.3oz(150g)

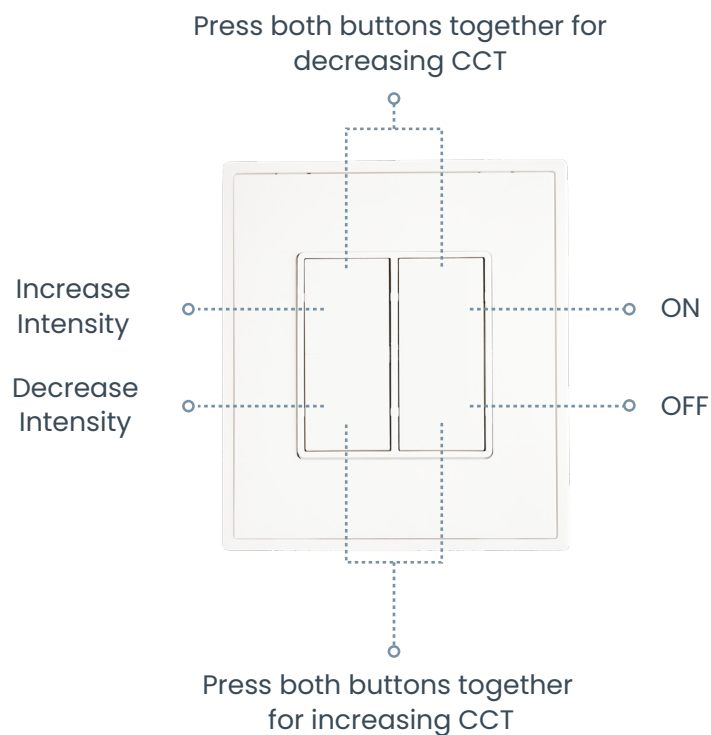
Product Dimensions



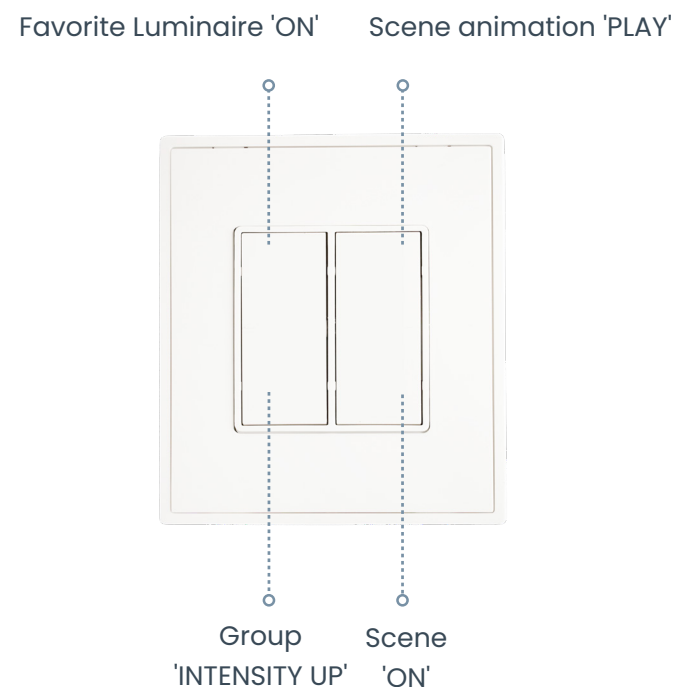
Operating Modes

The device can be configured to operate in default mode or custom mode after commissioning. Custom mode can be used to configure functionalities using mobile applications.

Default mode



Custom mode (Sample Configuration)

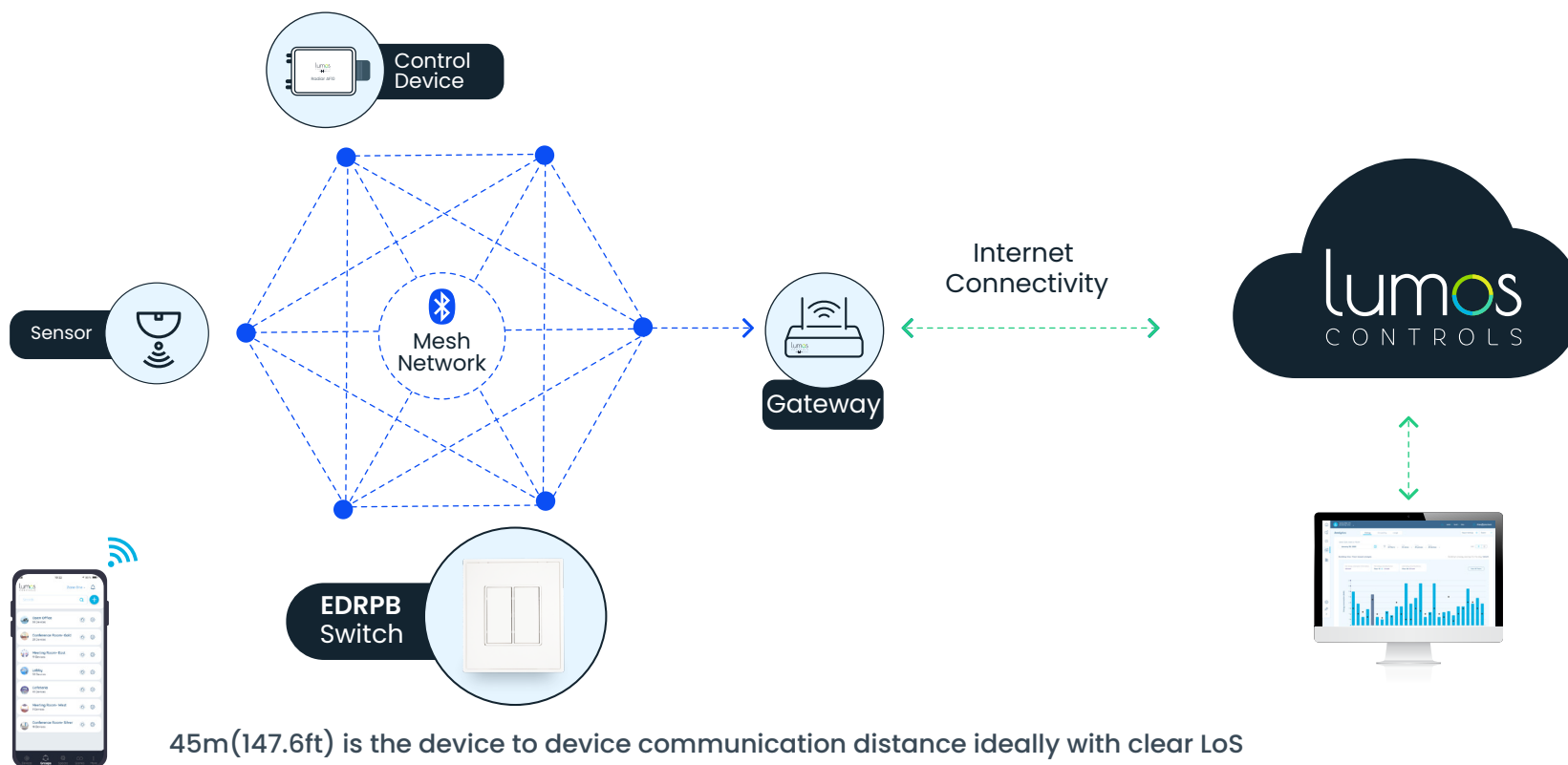


Custom Mode

Custom Mode can be used to configure the functionalities (target and the corresponding actions) of the rocker points using the mobile application

Target	Actions
Favorite luminaire	ON, OFF, Intensity (up & down), CCT (up & down)
Group	ON, OFF, Intensity (up & down), CCT (up & down)
Scene	ON
Scene animation	Play, Stop, Pause, Next, Previous
No action	

Smart Ecosystem



Certifications	Details
CE	<p>Article 3, RED 2014/53/EU</p> <p>EMC test standards ETSI EN 301 489-1 V1.9.2 ETSI EN 301 489-17 V2.2.1 EN 61000-4-2:2009 EN 61000-4-3:2006+A1:2008+A2:2010</p> <p>Radio test standard ETSI EN 300 328 V2.1.1</p> <p>Health test standard: EN 62479:2010</p> <p>Safety test standard EN 60950-1:2006+A11:2009+A1:2010+A12:2011+A2:2013</p>
FCC	ID: SZV-PTM215B
IC	ID: 5713A-PTM215B
RoHS2.0	RoHS Directive (EU) 2015/863 amending Annex II to Directive 2011/65/EU
Bluetooth	Declaration ID: D037401

Items included in the package box

- EDRPB
- User guide
- Wall plate
- Screws and Wall plugs

Ordering Information

Product Code	Product Description	Communication	Voltage Rating	Functionality
EDRPB	Wireless Self-Powered 4 Button Switch	BLE4.2	Electrodynamic Harvesting	ON/OFF, Dimming, Tuning

Custom printing available

Contact sales for more information

sales@lumoscontrols.com



Printed device sample

The Bluetooth® word mark and logos are registered trademarks owned by Bluetooth SIG, Inc. and any use of such marks by WiSilica Inc. is under license. Other trademarks and trade names are those of their respective owners.



20321 Lake Forest Dr D6,
Lake Forest, CA 92630

 www.lumoscontrols.com

 +1 949-397-9330