



# WANDO

Wireless Rotary Control Hub

## Product Overview

**Mando**, is a rechargeable lithium battery powered premium rotary remote, with 4 buttons and dual rotary dials. It has a built-in Bluetooth module that enables it to communicate and control other devices in the Lumos Controls mesh network. With the introduction of **blinX** mode, users can easily control the Lumos devices without commissioning in to the mobile app.

If users need custom functions for the remote, it can also be done by commissioning devices in to Lumos Controls mobile app. With this, users can custom configure each button and dial to control the brightness, color temperature of the lights, invoke scenes and control animations. This elegant and easy to use rotary remote can be placed on a table or mounted on a wall to control the system effortlessly.

## Specifications

### Environmental

Specifications	Value
Operating temperature	0 to 40°C (32 to 104°F)
Storage temperature	-10 to 50°C (14 to 122°F)
Storage humidity	10% to 90%

### Bluetooth

Specifications	Value
Frequency range	2402-2480MHz
Transmit power	8dBm
Receive sensitivity	-95dBm

## Features

- blinX mode to control the devices without commissioning and configuration using app
- Configure buttons and rotary dials by commissioning using Lumos Controls application
- Distributed network communication based on BLE 5.0
- Powered by rechargeable 760mAh Lithium battery
- Premium metallic finish
- Low-resistance knobs for smooth operation
- ABS panel on metal frame and base
- Backlighting for buttons
- Zero downtime Over-the-Air firmware update



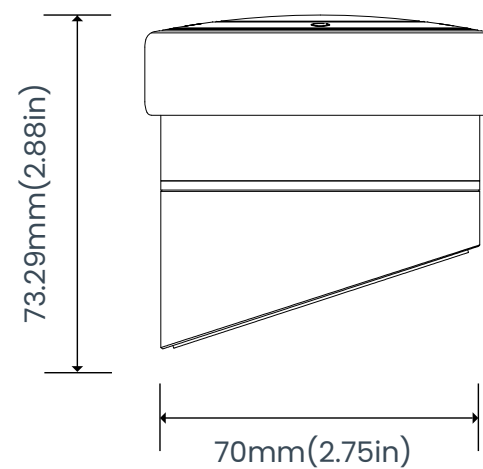
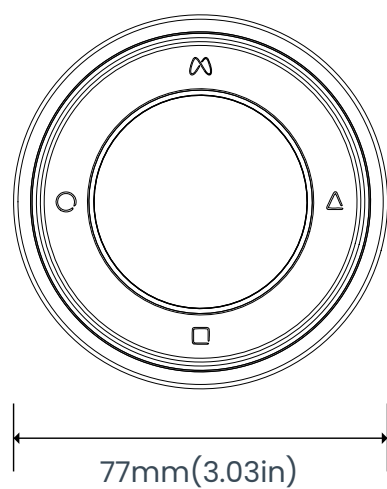
### Electrical

Specifications	Value	Remark
Power supply	Rechargeable lithium battery	5V/1A Adaptor (C-type)

### Mechanical

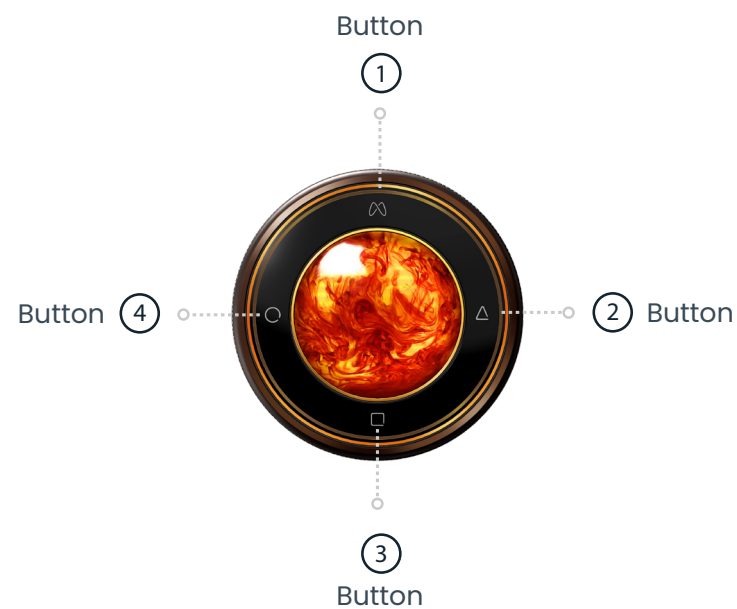
Specifications	Value
Weight	510g(17.8oz)
Dimension	70x73.29mm(2.75 x 2.88in)

## Product Dimensions



## User Interface Details

Mando comes with 4 buttons and 2 rotary dials as given below.



## blinX Mode

In blinX mode, no need to commission and configure the controllers and rotary control hubs using mobile application. Controllers need to be powered ON and linked to the rotary control hub, and default functions on the buttons can be used to control the lights as given below.

### Workflow

#### Step 01 Bring the rotary control hub to device Discovery mode

Power ON all the controllers, and bring the rotary control hub near the controller to be linked (within 8m).

Now, long press button ① on the rotary control hub for at least 5 secs to bring the rotary control hub to discovery mode. In discovery mode, rotary control hub will identify all the control devices around it. The lights connected to the nearest controller will start blinking slowly indicating that the controller has been identified by the rotary control hub.



#### Step 02 Link/ignore the controller with rotary control hub

User can either link that controller with rotary control hub or just ignore it and move to the next controller to be linked.



Double press button ① to link a slow blinking controller with rotary control hub. After linking, the lights connected to the controller will fast blink and remain ON.



Double press button ③ to ignore the linking between a light device and rotary control hub. After ignoring the light device, it will now stop blinking and turn OFF.

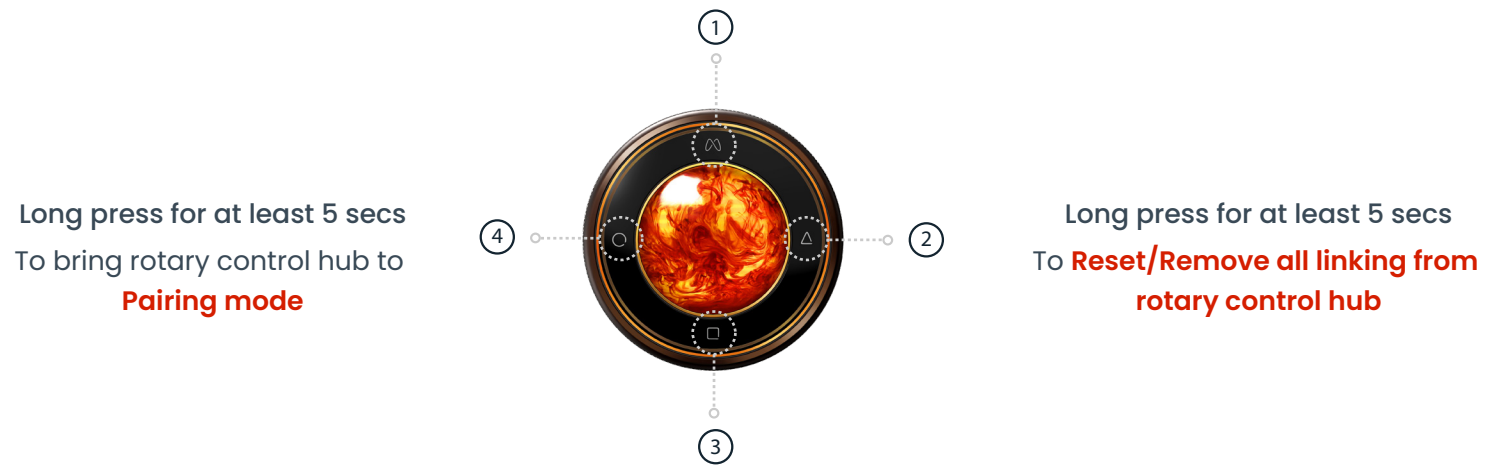
Similarly, identify and link all the controllers to be controlled from rotary control hub.

### Step 03 To exit rotary control hub from device Discovery mode

After linking all the intended controllers, long press button-3 for at least 5sec to exit the rotary control hub from device discovery mode

Long press for at least 5secs to bring rotary control hub to **device Discovery mode**

Double press to **proceed the linking**



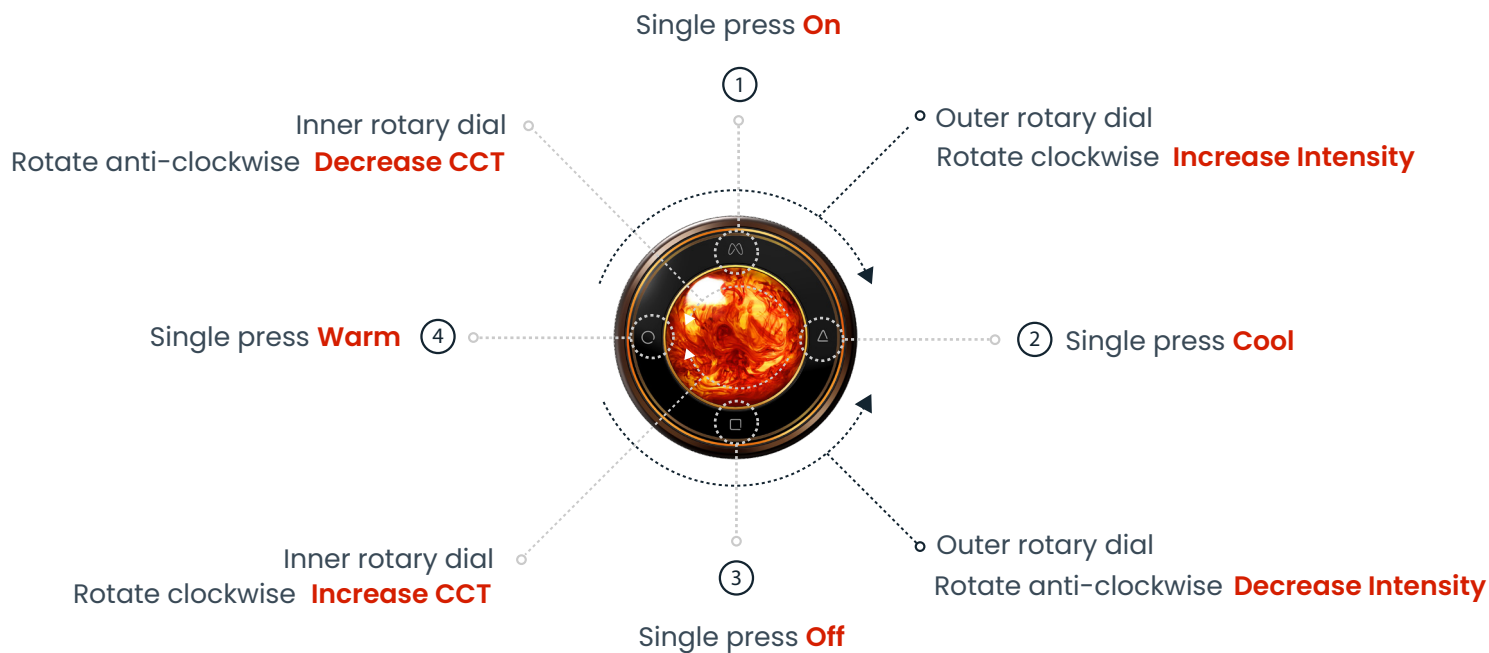
Long press for at least 5 secs to exit the rotary control hub from **device Discovery mode**

Double press to **discard the linking**

### Step 04 Control the devices from rotary control hub

After successful linking, you can now easily control all the linked devices simultaneously from the rotary control hub. The controls and functions of each button and dial are as follows

Button/Dial	Press/Rotation	Device Control Functions
Button ①	Single press	Turn ON all devices
Button ②	Single press	CCT level to Cool White
Button ③	Single press	Turn OFF all devices
Button ④	Single press	CCT level to Warm Yellow
Outer dial	Clockwise rotation	Increase intensity from the current intensity level
	Anti-Clockwise rotation	Decrease intensity from the current intensity level
Inner dial	Clockwise rotation	Increase CCT from the current CCT level
	Anti-Clockwise rotation	Decrease CCT from the current CCT level



## To Reset

All the linked devices can be unlinked together (reset) from the rotary control hub by long pressing button ② for at least 5 secs

## Paired Mode

In the paired mode, the controllers and rotary control hubs are commissioned into the Lumos Controls mobile application. Each button and rotary dial on the rotary control hubs are then configured with different functions as given in the table below.

## To commission the remote

Long press button ④ for more than 5 seconds to bring the rotary control hub to enter the commissioning mode, and all indicator lights will blink. Now the remote can be added to network and configure required functions using mobile application

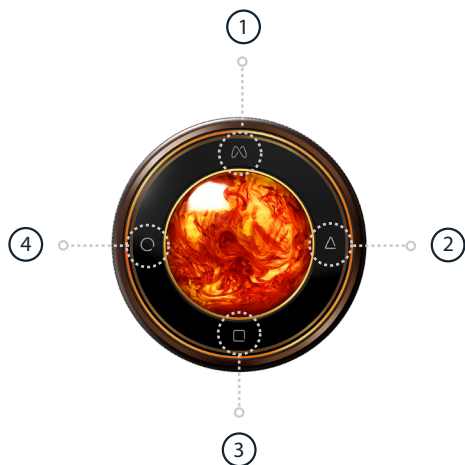


## To configure the functions

Once commissioned, the remote can be configured with the required functionalities from rotary control hub configuration within the Device settings

### Push Buttons

Buttons 1-4 can be used to configure the following functions of required targets.



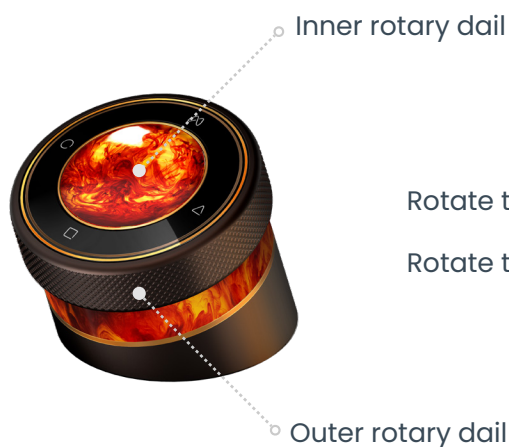
Pressing button 1-4 will control the configured function, and the corresponding button indicator light will flash once.

Target	Actions
Favorite luminaire	ON, OFF, Intensity (up & down), CCT (up & down)
Group	ON, OFF, Intensity (up & down), CCT (up & down)
Scene	ON
Scene animation	Play, Stop, Pause, Next, Previous
All luminaire	ON, OFF, Intensity (up & down), CCT (up & down)
No action	

This feature lets you control lights from rotary control hubs with personalized settings. You can also control the curtains through scenes and scene animation.

### Rotary Dial

Dials can be used to configure the intensity and CCT control of required targets using Lumos Controls mobile application. All the button indicator light will blink when rotating the dials



Rotate the outer dial clockwise to activate the function ⑤

Rotate the outer dial anti-clockwise to activate function ⑥





Rotate the inner dial clockwise to activate the function ⑦

Rotate the inner dial anti-clockwise to activate function ⑧

## To recharge the remote

Rotary control hub can be recharged using the C type port given at the bottom part. Follow the below steps to recharge the rotary control hub.

① Gently lift the top dial from the bottom body of Mando



Top View



Side View

② On the bottom body, you can find the C-type port. Connect a C-type charger to it for 1.5hrs to fully charge



③ The circular LED ring on the bottom body will be lit to indicate the charging status



④ When fully charged, the LED ring will flash for 2mins and turns OFF

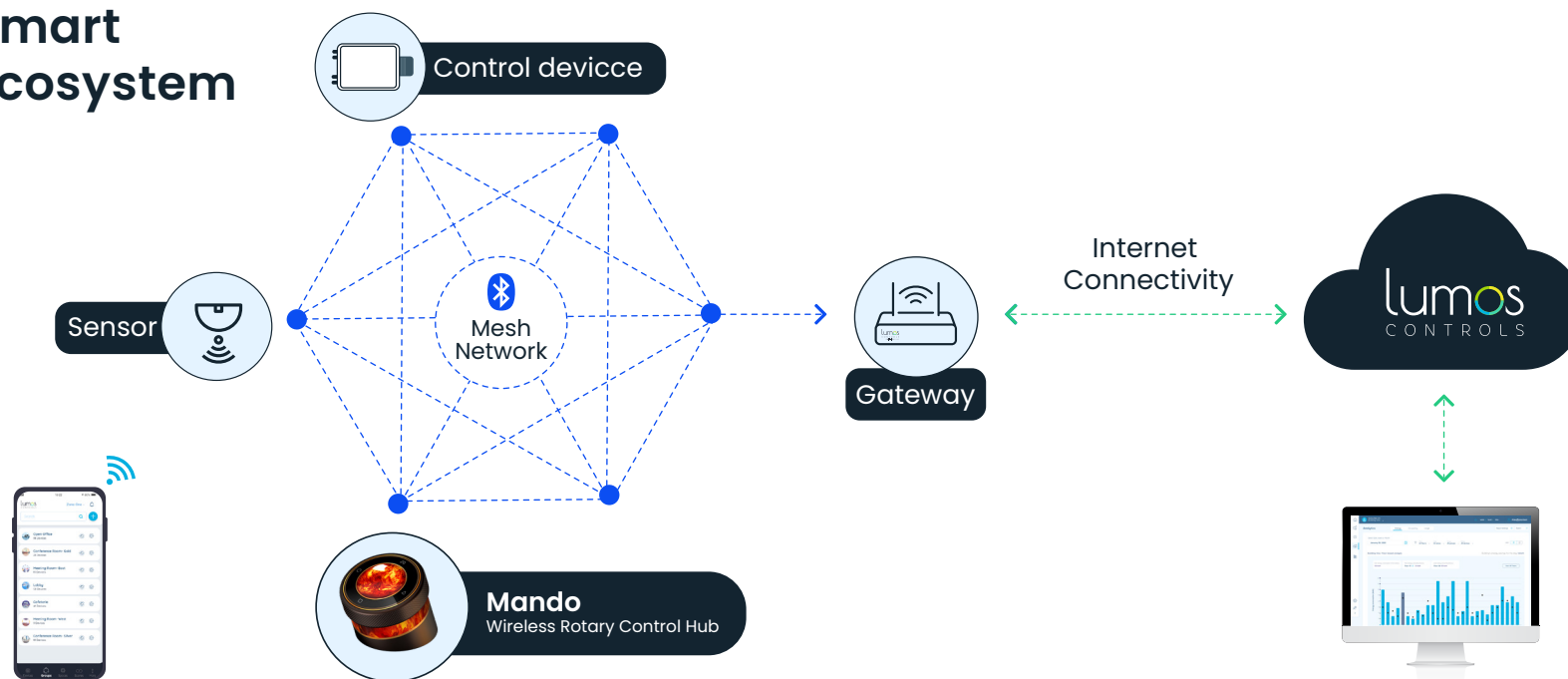


⑤ Check and align the pin connector and fit the dial back to the bottom body





## Smart Ecosystem



The communication distance between devices in an open area is 10m (32.8ft)

## Application



Mando

## Ordering Information

Product Name	Product Code	Product Description	Communication	Color
Mando Vulcan	WSBRMB4D2T-VL	Wireless Rotary Control Hub	BLE5.0	Vulcano fire red
Mando Oceana	WSBRMB4D2T-OC			Ocean blue

The Bluetooth® word mark and logos are registered trademarks owned by Bluetooth SIG, Inc. and any use of such marks by WiSilica Inc. is under license. Other trademarks and trade names are those of their respective owners.



20321 Lake Forest Dr D6,  
Lake Forest, CA 92630

 [www.lumoscontrols.com](http://www.lumoscontrols.com)

 +1 949-397-9330