



# MANDO

Wireless Wall Mounted Rotary Control Hub

## Product Overview

**Mando**, is a premium wireless rotary control hub, with 4 buttons and dual rotary dials. It has a built-in Bluetooth module that enables it to communicate and control other devices in the Lumos Controls mesh network. The wall-mounted model from Mando offers dual power options for versatile installation. It can operate either on a 100–240V AC mains supply or via a rechargeable lithium battery, conveniently charged through a USB Type-C port.

With the introduction of blinX mode, users can easily control the Lumos devices without commissioning in to the mobile app. If users need custom functions for the remote, it can also be done by commissioning devices in to Lumos Controls mobile app. With this, users can custom configure each button and dial to control the brightness, color temperature of the lights, invoke scenes and control animations.

## Specifications

### Environmental

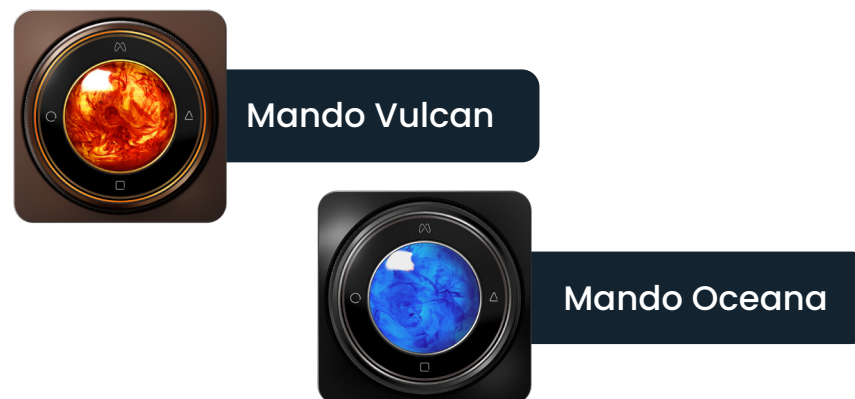
Specifications	Value
Operating temperature	0 to 40°C (32 to 104°F)
Storage temperature	-10 to 50°C (14 to 122°F)
Storage humidity	10% to 90%

### Bluetooth

Specifications	Value
Frequency range	2402–2480MHz
Transmit power	8dBm
Receive sensitivity	-95dBm

## Features

- Supports 100–240V AC or lithium battery via USB Type-C for flexible installation.
- blinX mode to control the devices without commissioning and configuring from app
- Custom configure buttons and rotary dials by commissioning using Lumos Controls application
- Distributed network communication based on BLE 5.0
- Premium metallic finish
- Low-resistance knobs for smooth operation
- Backlighting for buttons
- Zero downtime Over-the-Air firmware update



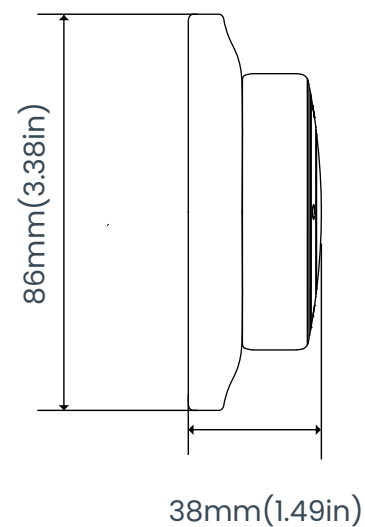
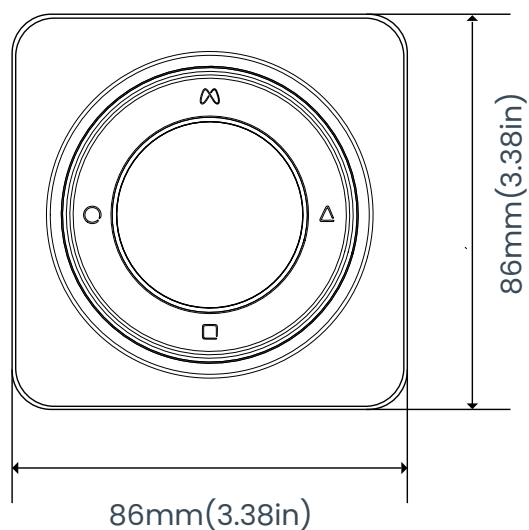
### Electrical

Specifications	Value
Input voltage	100–240VAC, 60Hz
	Rechargeable lithium battery, C-type 5V/1A Adaptor

### Mechanical

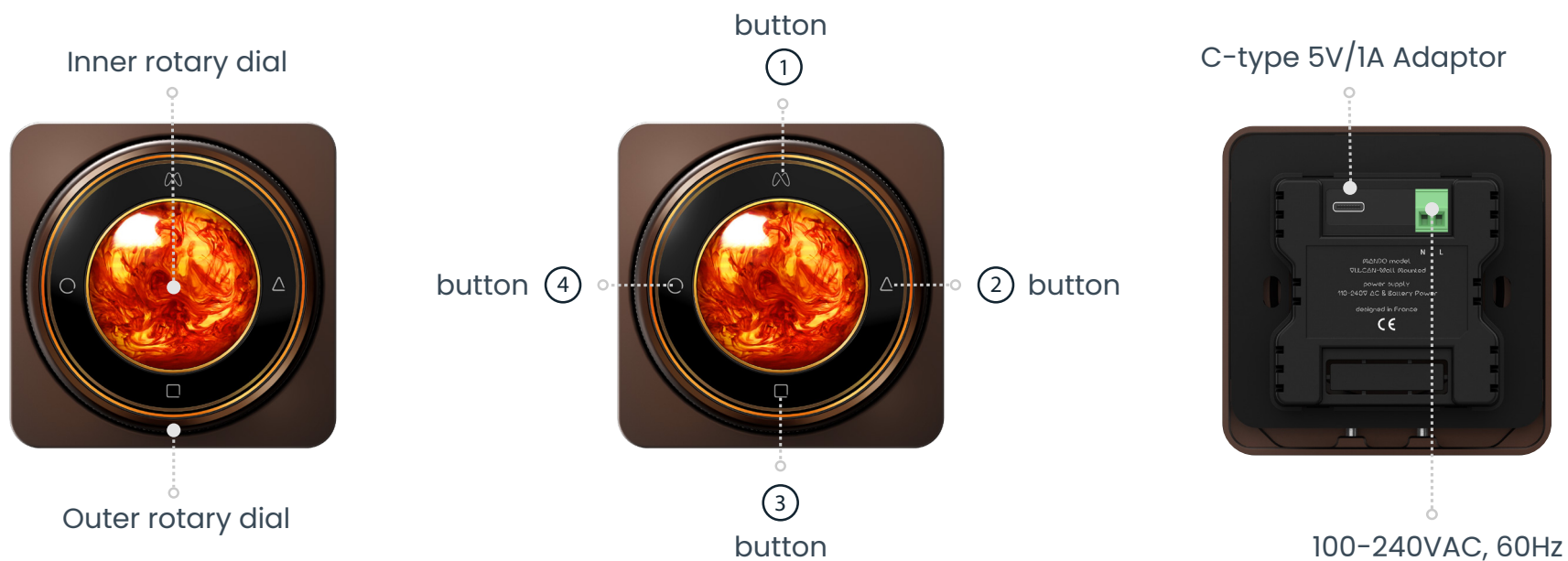
Specifications	Value
Weight	400g(14.10oz)
Dimension	86x86x38mm(3.38x3.38x1.49in)

## Product Dimensions



## User Interface Details

Mando comes with 4 buttons and 2 rotary dials as given below.



## blinX Mode

In blinX mode, no need to commission and configure the controllers and rotary control hubs using mobile application. Controllers need to be powered ON and linked to the rotary control hub, and default functions on the buttons can be used to control the lights as given below.

### Workflow

#### Step 01 Bring the rotary control hub to device Discovery mode

Ensure the controllers are installed within 8m of distance from the rotary control hub. Power ON all the controllers and rotary switch to start the linking process.

Now, long press button ① on the rotary control hub for at least 5 secs to bring the rotary control hub to discovery mode. In discovery mode, rotary control hub will identify all the control devices around it. The lights connected to the nearest controller will start blinking slowly indicating that the controller has been identified by the rotary control hub.



#### Step 02 Link/ignore the controller with rotary control hub

User can either link that controller with rotary control hub or just ignore it and move to the next controller to be linked.



Double press button ① to link a slow blinking controller with rotary control hub. After linking, the lights connected to the controller will fast blink and remain ON.



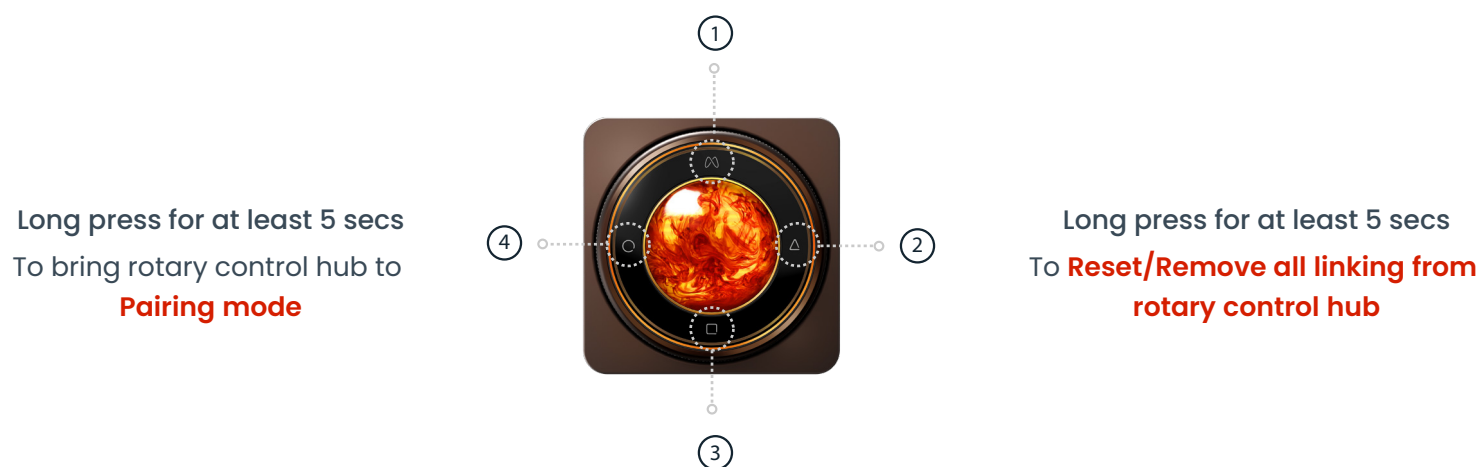
Double press button ③ to ignore the linking between a light device and rotary control hub. After ignoring the light device, it will now stop blinking and turn OFF.

Similarly, identify and link all the controllers to be controlled from rotary control hub.

### Step 03 To exit rotary control hub from device Discovery mode

After linking all the intended controllers, long press button-3 for at least 5sec to exit the rotary control hub from device discovery mode

Long press for at least 5secs to bring rotary control hub to **device Discovery mode**  
 Double press to **proceed the linking**

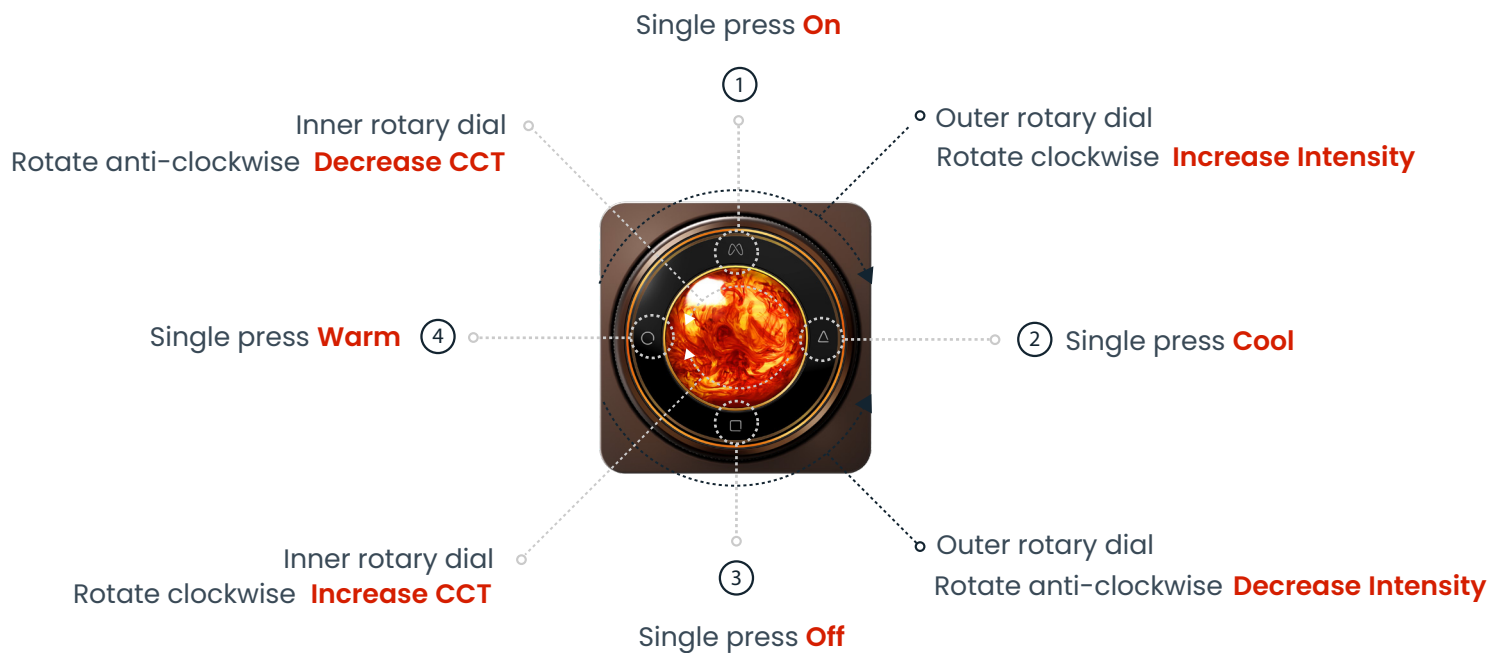


Long press for at least 5 secs to exit the rotary control hub from **device Discovery mode**  
 Double press to **discard the linking**

### Step 04 Control the devices from rotary control hub

After successful linking, you can now easily control all the linked devices simultaneously from the rotary control hub. The controls and functions of each button and dial are as follows

Button/Dial	Press/Rotation	Device Control Functions
Button ①	Single press	Turn ON all devices
Button ②	Single press	CCT level to Cool White
Button ③	Single press	Turn OFF all devices
Button ④	Single press	CCT level to Warm Yellow
Outer dial	Clockwise rotation	Increase intensity from the current intensity level
	Anti-Clockwise rotation	Decrease intensity from the current intensity level
Inner dial	Clockwise rotation	Increase CCT from the current CCT level
	Anti-Clockwise rotation	Decrease CCT from the current CCT level



## To Reset

All the linked devices can be unlinked together (reset) from the rotary control hub by long pressing button ② for at least 5 secs

## Paired Mode

In the paired mode, the controllers and rotary control hubs are commissioned into the Lumos Controls mobile application. Each button and rotary dial on the rotary control hubs are then configured with different functions as given in the table below.

## To commission the remote

Long press button ④ for more than 5 seconds to bring the rotary control hub to enter the commissioning mode, and all indicator lights will blink. Now the remote can be added to network and configure required functions using mobile application. You can also put Mando into pairing mode by power cycling it.

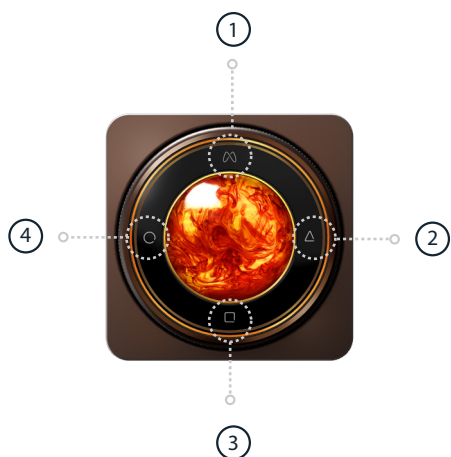


## To configure the functions

Once commissioned, the remote can be configured with the required functionalities from rotary control hub configuration within the Device settings

### Push Buttons

Buttons 1-4 can be used to configure the following functions of required targets.



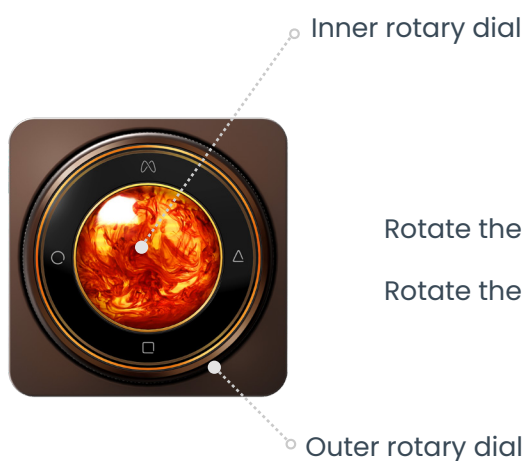
Pressing button 1-4 will control the configured function, and the corresponding button indicator light will flash once.

Target	Actions
Favorite luminaire	ON, OFF, Intensity (up & down), CCT (up & down)
Group	ON, OFF, Intensity (up & down), CCT (up & down)
Scene	ON
Scene animation	Play, Stop, Pause, Next, Previous
All luminaire	ON, OFF, Intensity (up & down), CCT (up & down)
No action	

This feature lets you control lights from rotary control hubs with personalized settings. You can also control the curtains through scenes and scene animation.

### Rotary Dial

Dials can be used to configure the intensity and CCT control of required targets using Lumos Controls mobile application. All the button indicator light will blink when rotating the dials



Rotate the outer dial clockwise to activate the function ⑤

Rotate the outer dial anti-clockwise to activate function ⑥





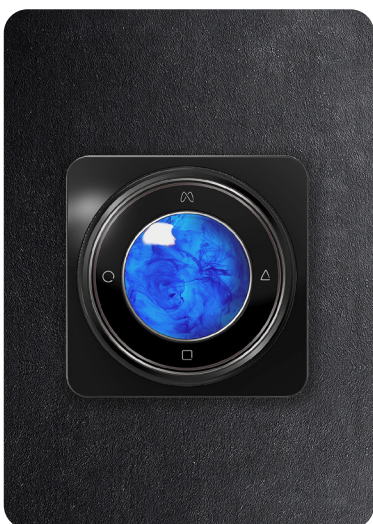
Rotate the inner dial clockwise to activate the function ⑦

Rotate the inner dial anti-clockwise to activate function ⑧

## Installation

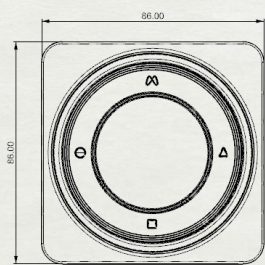


Mounting on a Wall

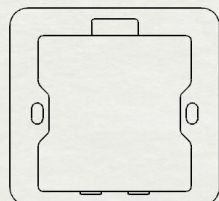




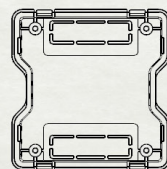
### Parts of Mando



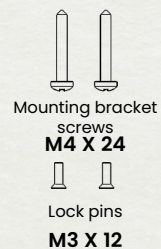
MANDO



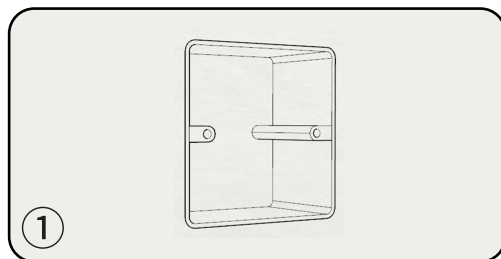
Mounting bracket



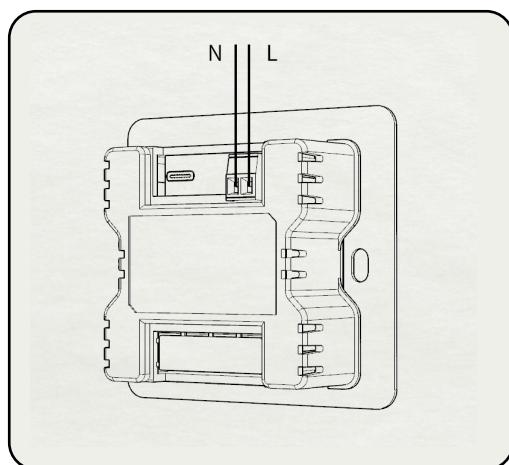
Back case

Mounting bracket  
screws**M4 X 24**

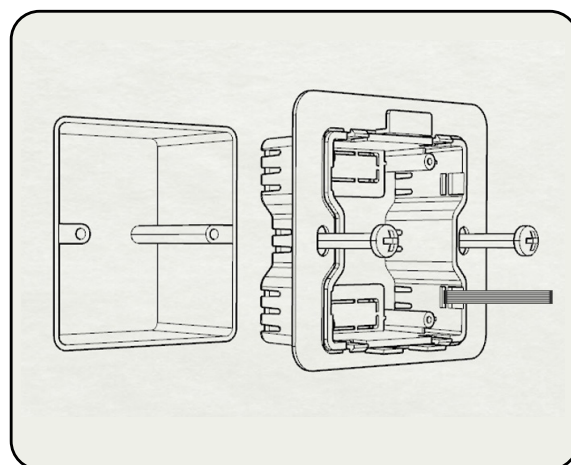
Lock pins

**M3 X 12**

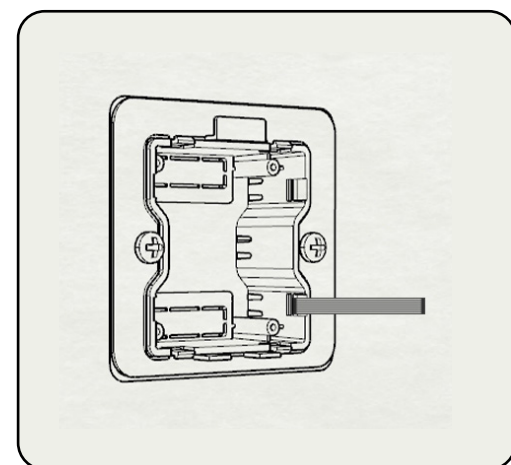
1 Find a suitable wall box (with suitable depth and standard of your region) to install the Mando. Make holes on the box and take the Supply line and neutral wires in to the box.



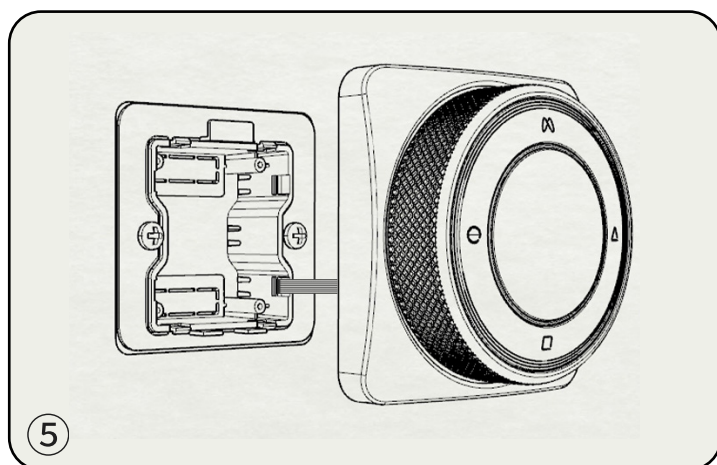
Connect the line and neutral wires to the connectors behind the back case



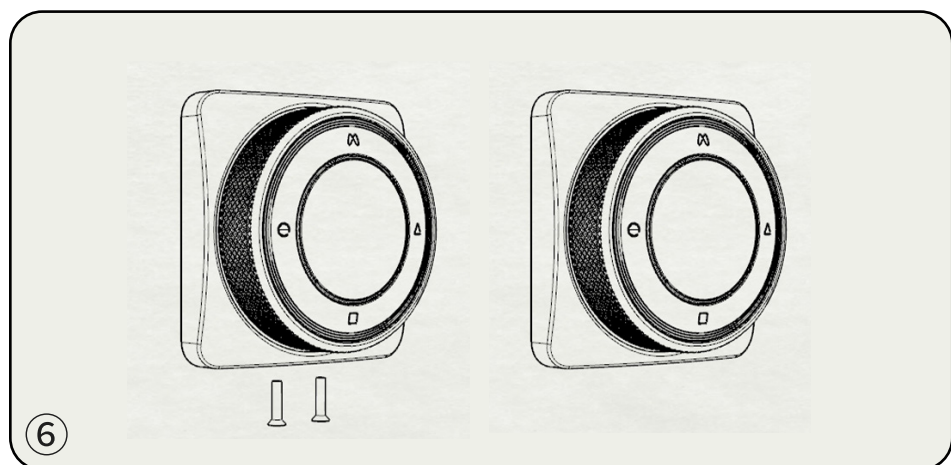
Attach the back case with the mounting bracket



Fix the back case together with mounting bracket to the wall box using the M4x 25 screws

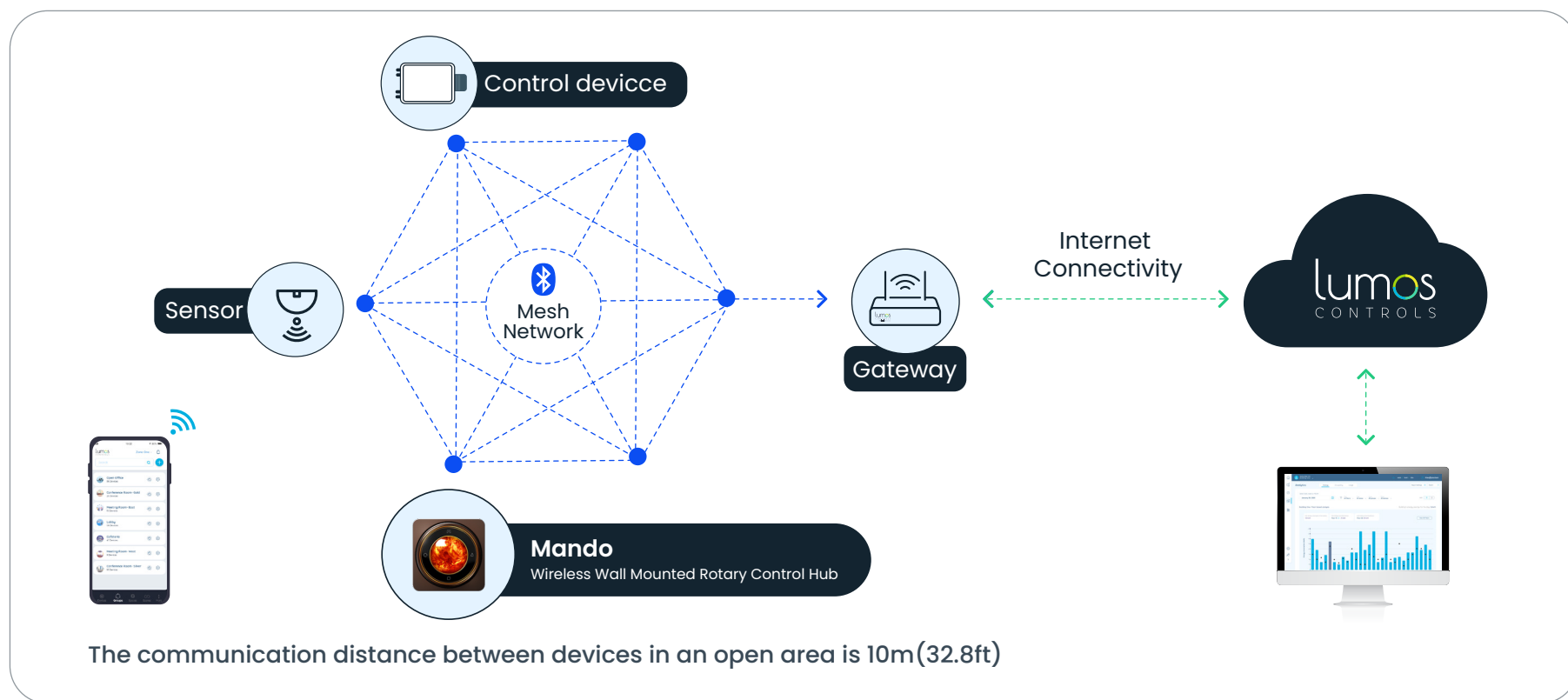


5 Connect the jumper wires from the case to the back of Mando



6 Attach the Mando to the mounting bracket and secure it using the lock pins (M3 x 12)

## Smart Ecosystem



## Application



## Available Color Options



Vulcan Brown Frame



Vulcan Deep Gray Frame



Oceana Black Frame



Oceana Deep Gray Frame

## Ordering Information

Product Name	Product Code	Product Description	Communication	Color
Mando Vulcan	WSBRMB4D2-VL	Wireless Wall Mounted Rotary Control Hub	BLE5.0	Vulcano fire red
Mando Oceana	WSBRMB4D2-OC			Ocean blue

The Bluetooth® word mark and logos are registered trademarks owned by Bluetooth SIG, Inc. and any use of such marks by WiSilica Inc. is under license. Other trademarks and trade names are those of their respective owners.



20321 Lake Forest Dr D6,  
Lake Forest, CA 92630

[www.lumoscontrols.com](http://www.lumoscontrols.com)

+1 949-397-9330