

PSC-DM-WS-400-BLE-WS

4-Button Wireless Bluetooth Mesh Wall Controller



PRODUCT OVERVIEW

PSC-DM-WS-400-BLE-WS wirelessly communicates with Bluetooth mesh controllers to provide scene and light level control to lighting in the space. It can be installed in a standard 1-gang wall box. The field-customizable buttons can be programmed for ON/OFF/RAISE/ LOWER preset scenes or white tuning.

PSC-DM-WS-400-BLE-WS is a part of Lumos Controls ecosystem supported by controllers, sensors, switches, modules, drivers, gateways, and analytical dashboards. The ecosystem is listed by the **Design Lights Consortium (DLC)**, qualifying it for energy conservation incentive programs and rebates by utility companies

SPECIFICATIONS

Electrical

Specifications	Value	Remarks
Input voltage	120-277 VAC	@ 50/60Hz
Power consumption	Max 1.5W	

Bluetooth

Specifications	Value	Remarks
Frequency range	2402-2480MHz	
Max output power	8dBm	Conductive
Receive sensitivity	-95dBm	
Connection distance (device to device)	45m(147.6ft)	Vary depending on the installation environment

FEATURES

- BLE 5.2 based non-flooding intelligent communication
- Manual ON/OFF (wireless)
- Dim UP/DOWN (wireless)
- Conforms with DLC NLC5 Cybersecurity Standards
- LED status indicator light
- 4-Button functions may be customized
- Mounts in any standard wall box

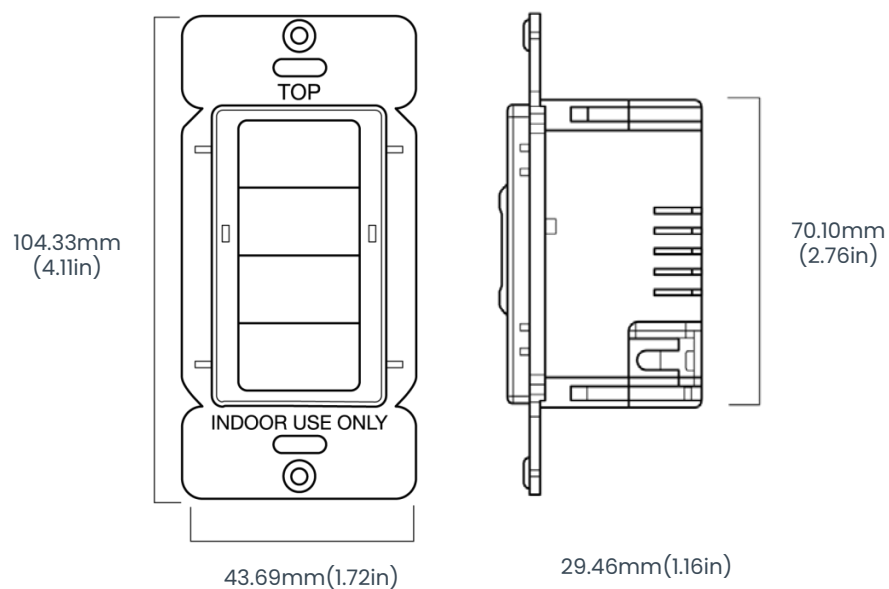
Environmental

Specifications	Value	Remarks
Operating temperature	0° to 55°C (32 to 131°F)	
Storage temperature	-10° to 60°C (14 to 140°F)	
Relative humidity	90-95%	non-condensing at 30°C

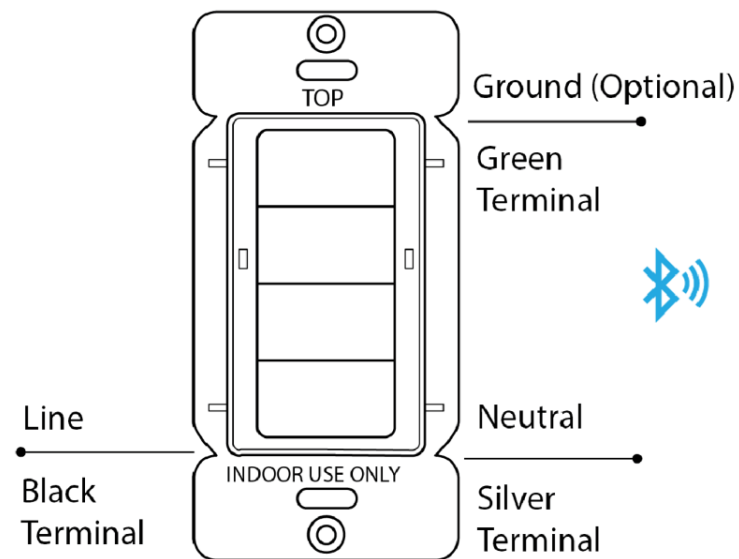
Mechanical

Specifications	Value	Remarks
Dimension	104.33 X 43.69 X 29.46mm (4.11 X 1.72 X 1.16in)	Length x Breadth x Height

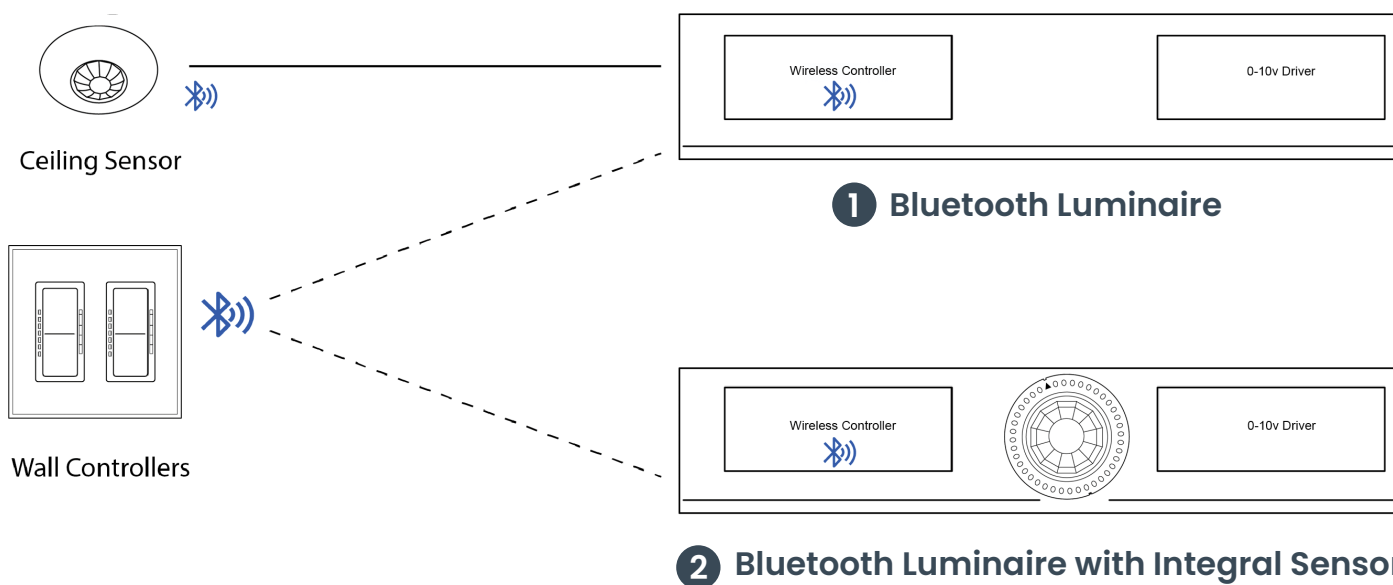
PRODUCT DIMENSIONS



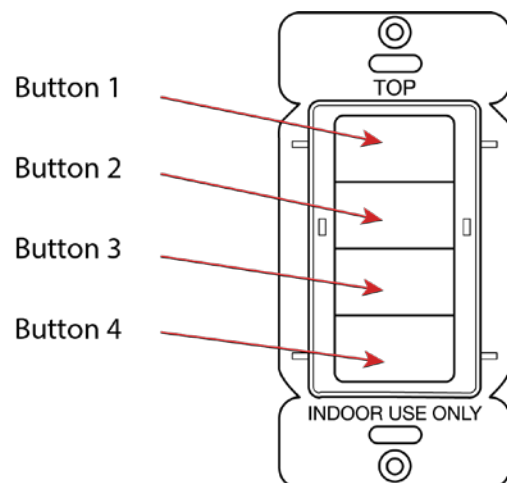
WIRING



SWITCH INTEGRATION



DEVICE CONTROLS



Button 1 AND Button 2 FOR AUTO/ON AND DIMMING:

Short press Button 1: **AUTO/ON** Long press Button 1: **Dim Up**
 Short press Button 2: **OFF** Long press Button 2: **Dim Down**

Auto: Resume automatic control; turns on the automatic settings for luminaires (defined by the settings profile).

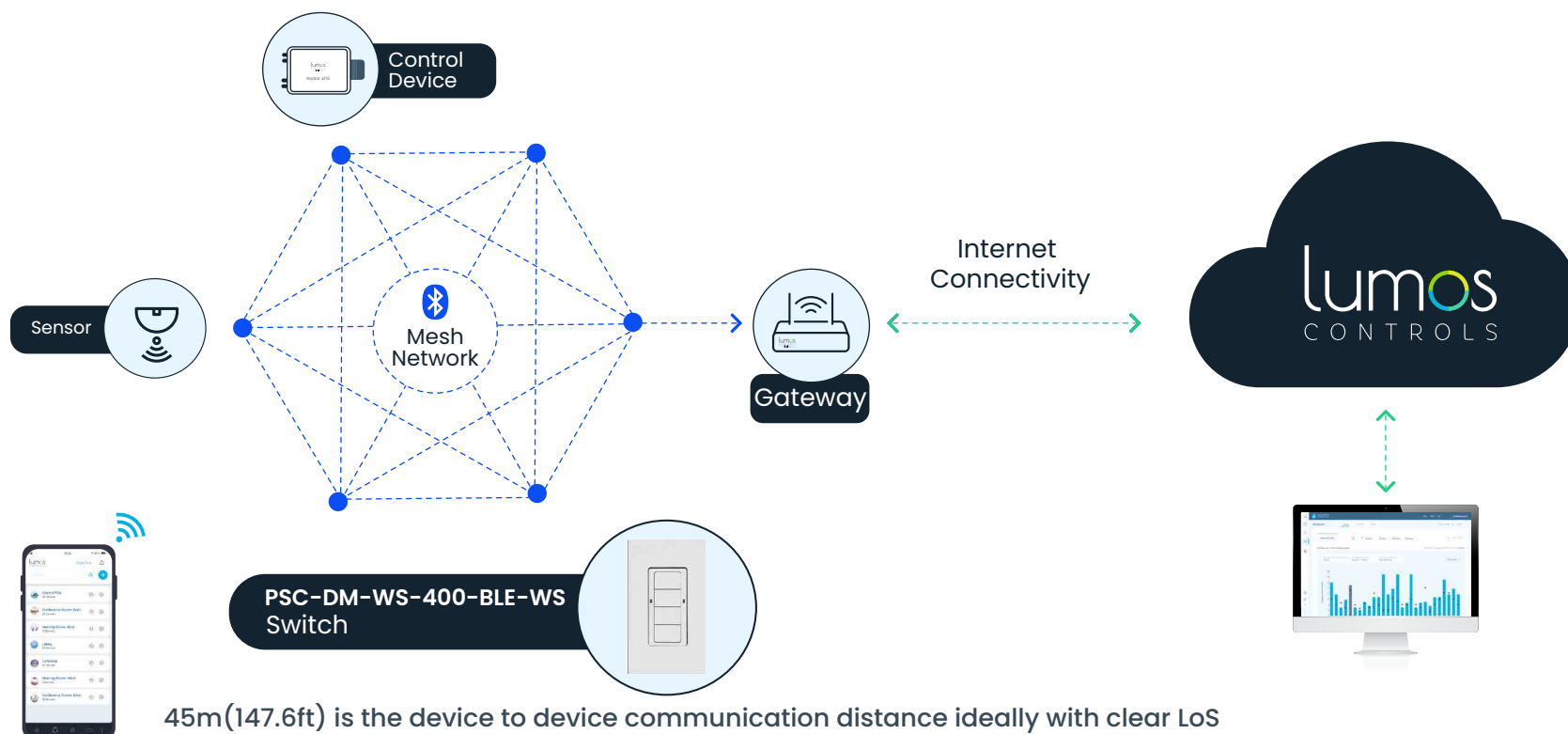
Button 3 AND Button 4 TO TRIGGER SCENES OR CONTROL COLOR TEMPERATURE (IF AVAILABLE), SCENES MUST BE CONFIGURED:

Short press Button 3: **Scene A** (if configured)
 Short press Button 4: **Scene B** (if configured)
 Long press Button 3: **Colder** (if available)
 Long press Button 4: **Warmer** (if available)

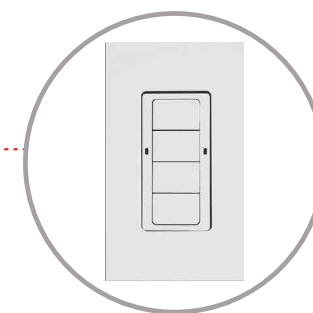
FACTORY RESET:

Hold both Button 1 and Button 4 for 10 sec. The device returns to an un-provisioned state.

SMART ECOSYSTEM



APPLICATION



PSC-DM-WS-400-BLE-WS

ITEMS INCLUDED IN THE PACKAGE BOX

- PSC-DM-WS-400-BLE-WS
- User guide
- Screws

ORDERING INFORMATION

Product Code	Product Description	Communication	Voltage Rating	Functionality
PSC-DM-WS-400-BLE-WS	4-Button Wireless Bluetooth Mesh Wall Controller	BLE5.2	120-277VAC	ON/OFF, Dimming, Tuning

The Bluetooth® word mark and logos are registered trademarks owned by Bluetooth SIG, Inc. and any use of such marks by WiSilica Inc. is under license. Other trademarks and trade names are those of their respective owners.



20321 Lake Forest Dr D6,
Lake Forest, CA 92630

 www.lumoscontrols.com

 +1 949-397-9330